

VAL6 KBES5S

KBESL

2-step

Owner's Manual Manuel d'utilisation



English

Français

! IMPORTANT

- This Owner's Manual provides important information on proper handling, operation, and maintenance. FAILURE TO FOLLOW THE INSTRUCTIONS, PRECAUTIONS, OR SAFETY TIPS IN THIS MANUAL AUTOMATICALLY VOIDS ALL WARRANTIES, EXPRESS OR IMPLIED.
- FAILURE TO COMPLY WITH THE INSTRUCTIONS, PRECAUTIONS, AND SAFETY TIPS IN THIS MANUAL CAN RESULT IN DEATH, SERIOUS BODILY INJURY AND PROPERTY LOSS OR DAMAGE FROM HAZARDS OF FIRE, EXPLOSION, BURN, ASPHYXIATION, CARBON MONOXIDE POISONING, AND / OR ELECTRICAL SHOCK.
- Read and thoroughly understand this Owner's Manual before using the heater in any way, including unpacking, assembling, fueling, inspecting, lighting, operating, adjusting, turning off, cooling down, moving, or storing the heater.
- Please keep this Manual for the user's need and reference.
- Do not allow anyone who has not read and understood this Owner's Manual to assemble, inspect, light, operate, adjust, turn off, cool down, re-fuel, move, or store the heater.
- The requirements of local authorities having jurisdiction shall be followed.
- The installation of the unit shall be in accordance with the regulations of the authorities having jurisdiction.



! IMPORTANT

- Ce manuel d'utilisation fournit des informations importantes sur la manipulation, l'utilisation et l'entretien de l'appareil. L'INOBSERVATION DES INSTRUCTIONS, PRÉCAUTIONS ET CONSIGNES DE SÉCURITÉ MENTIONNÉES DANS CE MANUEL REND CADUQUES TOUTES LES GARANTIES, QU'ELLES SOIENT EXPRESSES OU IMPLICITES.
- L'INOBSERVATION DES INSTRUCTIONS, PRÉCAUTIONS ET CONSIGNES DE SÉCURITÉ MENTIONNÉES DANS CE MANUEL PEUT PROVOQUER DES BLESSURES GRAVES, VOIRE LA MORT, OU L'ENDOMMAGEMENT OU LA PERTES DE BIENS MATÉRIELS EN RAISON D'UN INCENDIE, D'UNE EXPLOSION, DE BRÛLURES, D'ASPHYXIE, D'EMPOISONNEMENT AU MONOXYDE DE CARBONE ET/OU DE SECOURS ÉLECTRIQUE.
- Lisez attentivement ce manuel d'utilisation et assurez-vous d'en comprendre le contenu avant même de déballer l'appareil, de l'installer, de le remplir de combustible, de l'inspecter, de l'allumer, de l'exploiter, de le régler, de l'arrêter, de le laisser refroidir, de le déplacer ou de le stocker.
- Veuillez conserver ce manuel pour les besoins de l'utilisateur et comme moyen de référence.
- Ne permettez à quiconque n'ayant pas lu ni compris ce manuel de déballer l'appareil, de l'installer, de le remplir de combustible, de l'inspecter, de l'allumer, de l'exploiter, de le régler, de l'arrêter, de le laisser refroidir, de le déplacer ou de le stocker.
- Les conditions imposées par les autorités locales ayant juridiction doivent être suivies.
- L'installation de l'unité doit être faite conformément aux règlements des autorités ayant juridiction.



Contents

ASSEMBLY INSTRUCTION	1	Inspection	12
1. Special precautions	3	4-1. Daily inspection	12
2. Names of components	7	4-2. Periodic inspection	14
3. How to use	8	5. How to store the heater	14
3-1. Preparation for operation	8	6. Troubleshooting	15
3-2. Operating procedures	10	7. Exchange procedure	15
3-3. How to connect the Control Device	11	7-1. Fuse	16
3-4. Use of the Heat Shielding Mat ..	11	7-2. Nozzle	16
3-5. Operation with Portable Generator	11	8. Specifications	17
4.		9. Safety labels	18
		10. Warranty policy	19

Table des matières

DIRECTIVES RELATIVES À L'ASSEMBLAGE	20	4. Inspection	31
1. Précautions particulières	22	4-1. Inspection quotidienne	31
2. Noms des principaux composants ..	26	4-2. Inspection périodique	33
3. Comment l'utiliser	27	5. Comment entreposer l'appareil de chauffage	33
3-1. Préparatifs d'utilisation	27	6. Dépannage	34
3-2. Procédures d'utilisation	29	7. Méthode de remplacement	34
3-3. Branchement du dispositif de commande	30	7-1. Fusible	35
3-4. Utilisation du tapis de protection thermique	30	7-2. Buse	35
3-5. Alimentation à partir d'un groupe électrogène portatif	30	8. Caractéristiques techniques	36
		9. Étiquettes de sécurité	37
		10. Garantie	38

ASSEMBLY INSTRUCTION

■ KBE5S

The unit is packaged without having the safety guard and wheel parts assembled. Prior to assembly, check the heater and supplied parts for possible shipping damage. If any damage is found, do not proceed further. Immediately notify the dealer from whom you purchased the heater on how to proceed.

Be sure to assemble the safety guard properly before the unit is used.

Follow the instruction below to assemble the safety guard and wheels parts in the correct order.

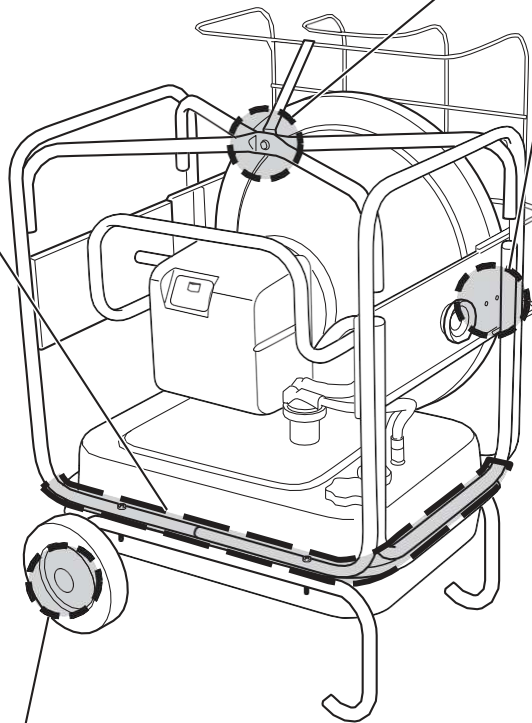
English

No.2

Put the main structure on the wheel frame and fasten them with the screws provided. Screws which are used for temporary joint in packing are not needed for assembling.

No.3

The safety guard must be fastened with the screws provided.



No.1

Put the shaft through the shaft plate, then mount the wheels, washers and cutter-pins.



CAUTION

To help prevent accidents, never use the unit without the safety guard.

ASSEMBLY INSTRUCTION

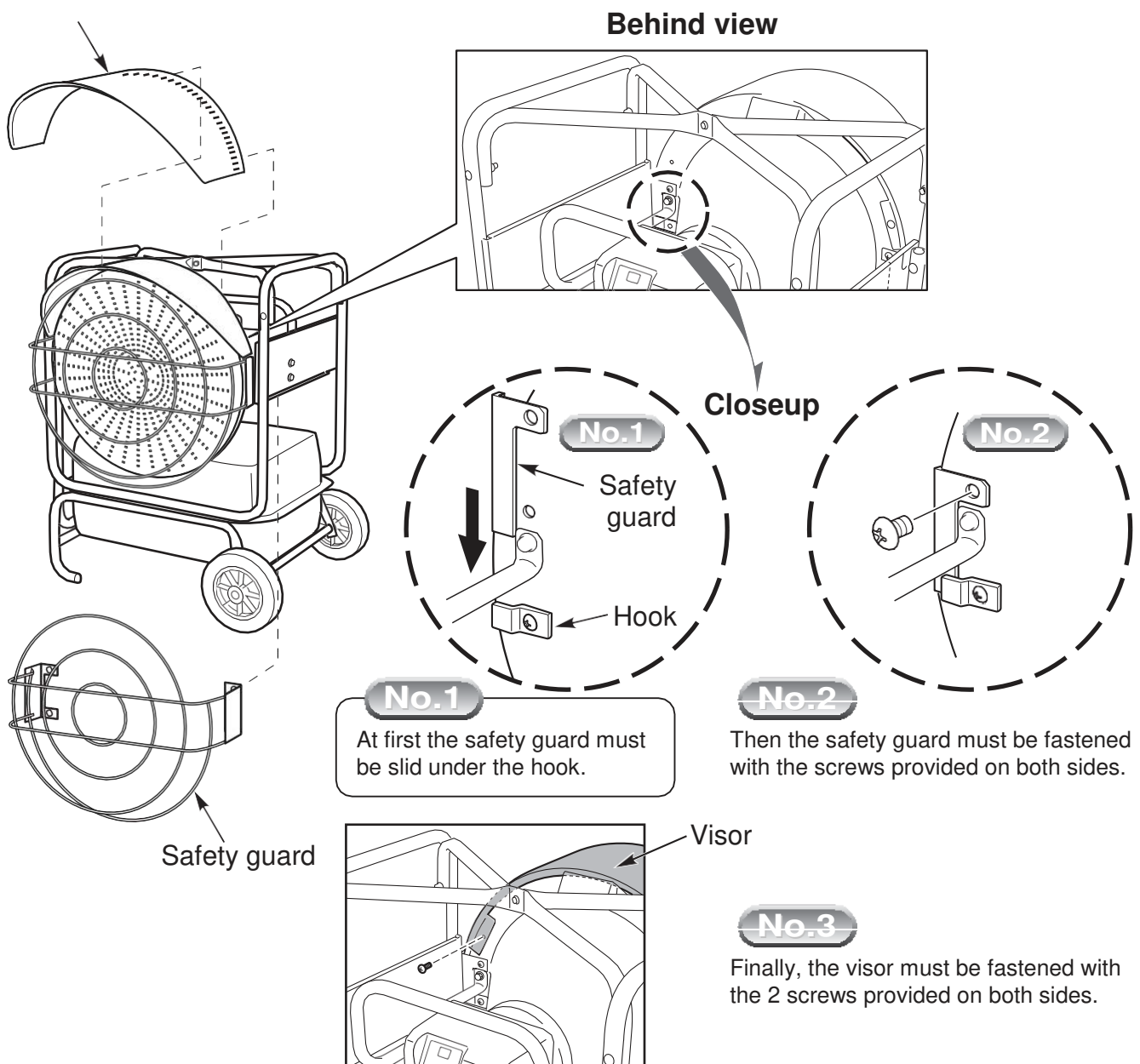
■ KBE5L

The unit is packaged without having the safety guard and the visor parts assembled. Prior to assembly, check the heater and supplied parts for possible shipping damage. If any damage is found, do not proceed further and immediately notify the dealer from whom you purchased the heater. Be sure to assemble the safety guard and the visor properly before the unit is used. Follow the instruction below to assemble the safety guard and the visor in the correct order.

Visor

Observation




Before assembling, make sure 6 screws and visor are included in package.



⚠ CAUTION

To help prevent accidents, never use the unit without the safety guard.

1 Special precautions

- ◆ This Manual explains necessary precautions that must be strictly followed for proper and safe operation. Precautions are divided into 3 categories  **Danger**,  **Warning**, and  **Caution**. Please read and understand well the details and meanings of each category.




 **DANGER** “DANGER” means that failure to follow the given precaution (s) may lead to death, serious injury and/or major fire.

 **WARNING** “WARNING” means that failure to follow the given precaution (s) may likely result in death, serious injury, fire and/or possible explosion.

 **CAUTION** “CAUTION” means that failure to follow the given precaution (s) may result in serious injury and/or property damage.


* Depending upon the circumstances, even the category of “CAUTION” can lead to grave damage to persons and/or property. Caution and recommendation listed in each category are equally important for safe operation, so be sure to follow the precautions in all 3 categories.

- Following signs, used throughout this Manual, are defined as follows:

	Prohibited (This indicates “actions that are strictly forbidden”.)
	Mandatory (This indicates “actions or instructions” that must be carried out.)
	Caution (This indicates “actions” that require careful attention)

Important Notice

WARNING











- When operating or servicing this heater, please follow all instructions described in this Manual.
 - When replacing parts, use only the genuine parts made or approved by the manufacturer of the heater. Please note that we shall not be held responsible or liable for any damage or accident that results from using any unapproved or non-genuine parts.
 - We shall not be held liable or responsible for any damage or accident that results from disobeying or not properly carrying out any instructions in this Manual, or from the improper modification or operation of the heater.
 - The State of California requires the following warning:
 **WARNING: COMBUSTION BY-PRODUCTS PRODUCED WHEN USING THIS PRODUCT CONTAIN CARBON MONOXIDE, A CHEMICAL KNOWN TO THE STATE OF CALIFORNIA TO CAUSE CANCER AND BIRTH DEFECTS (OR OTHER REPRODUCTIVE HARM).**
1. As we cannot predict every possible situation of danger while operating this heater, the contents described in this Manual could not fully foresee a whole range of possible dangers. So, when operating or doing daily inspection (to this heater), please pay full attention not only to the contents of this Manual and the Labels on the heater itself, and also be constantly alert for factors that might affect the safe operation of the heater. Do not hesitate to stop operation and contact your dealer if you have any questions about any matter not discussed in this Manual.
 2. If you have any question or want to know more detailed information about the heater, please contact your dealer.
 3. If any irregular or missing page(s) is found in this Manual, please contact your dealer and we will exchange it with a new one.
 4. Please keep the set of Standard Parts supplied with the heater.
 5. The operator of the heater is responsible for warning anyone who works around the heater or comes near the heater of the dangers of the heater and the safety precautions that must thereby be taken pursuant to this Manual.

Purpose of this Owner’s Manual
















This Manual aims to supply the user with detailed information on how to properly use, operate and service this VAL6 Heater.

To Help Ensure Safe Operation, Comply with the Following Precautions














* It is important that the safety precautions listed below are understood and followed prior to first operation of the heater. These precautions must also be followed thereafter.

⚠ DANGER			
1	Use of gasoline prohibited	Never use gasoline, for any purpose, for example, for cleaning or as fuel, in connection with, or around, operation or storage of the heater, as a fire and/or explosion may result.	
2	Use of flammables prohibited	Never use or store the heater where thinner, gasoline, liquid propane gas, or other highly flammable vapors, etc., are present, because these may lead to explosion or fire.	
3	Ventilation required	Never use the heater in poorly ventilated areas. Poor ventilation allows a buildup of carbon monoxide produced by the heater, especially if there is also inadequate combustion. CARBON MONOXIDE is a colorless and odorless poisonous gas that may lead to death or other injury. Always provide a fresh supply of outside or circulating air whenever the heater is used. Some people are more affected by carbon monoxide than others, including pregnant women, persons with heart disease, lung disease, anemia, and/or under the influence of alcohol. High altitude also creates a higher danger of susceptibility to carbon monoxide. Danger signs that a person may be suffering from carbon monoxide poisoning include, headache, dizziness, burning eyes and nose, nausea, and dry mouth or sore throat. If any of these symptoms occur, immediately seek medical attention, ventilate the area, and turn the heater off.	
⚠ WARNING			
1	Keep aerosol containers away from the heater	Never place sealed, pressurized containers (such as aerosol cans) near the heater as exposure to heat from the heater may build up pressure in the container and cause it to explode with deadly force.	
2	Never use the heater where flammable dusts are present	Never operate the heater where highly flammable dusts (of wood, paper, textile, etc.) are present. Dusts, after sucked and heated by the heater, will be blown out "sparked" and cause a fire.	
3	Be careful of hot surfaces on and around the heater	Portions of the heater (both while the heater is in operation and for 30 minutes or more after the heater is turned off), are hot to the touch and may burn the skin and/or ignite clothing and other combustible materials. Avoid touching the burner and nearby areas while the heater is in operation and for at least 30 minutes after it is turned off. Also do not move or service the heater while it is operating or hot.	
4	Do not service the heater while burning	Do not service or handle the heater while burning, in operation, hot or plugged-in to avoid any injury and/or trouble.	
5	Modification of the heater prohibited	Never modify the heater by any means. Any modification may increase the chance of burns, fires, explosions, or other problems before, during, and after operation of the heater.	
6	Be careful of electrical shock	To avoid electrical shock, never use the heater where exposed to rain, snow or high humidity. If the heater or any part of it becomes immersed in water, immediately contact a qualified service agency to inspect the heater and determine if anything needs to be replaced prior to further operation. Make sure the power plug is disconnected from the electrical outlet, before starting daily inspection and maintenance.	
7	Never use the heater for any residential application	This heater is for industrial use only. Never use the heater for any residential application at all time. Wrong use of this heater can result in potential death, serious injury, fire and/or possible explosion.	

To Help Ensure Safe Operation, Comply with the Following Precautions

 CAUTION			
1	Keep flammable materials away from the heater	To avoid a fire, please keep all flammables more than 2.5m (8.2ft.) away from the front of the radiation disk, and more than 2m (6.56ft.) away from all sides (left/right and top/rear) of the heater.	
2	Do not block the heater	To avoid a fire, never place any object within one (1) meter (3.28 feet) from (the front of) the radiation disk.	
3	Do not try to ignite the heater more than 3 times in a row	If the heater does not ignite the first time, do not try to ignite more than two more times in a row thereafter because a fire may result. If the heater does not ignite after the third attempt, stop trying and consult your dealer prior to further operation of the heater.	
4	Do not operate the heater unattended	Do not leave the heater unattended while it is in operation or cooling down so that unexpected problems, such as fire, can be dealt with immediately.	
5	Placing the heater on combustible matter or flooring is prohibited	The heater is for use on non combustible matter or flooring only unless the shielding mat, part #503002-05001 is used. Materials of shielding mat : glass cloth and aluminum film Dimension of shielding mat : 1200 x 1200 x (3.5) mm (L x W x H)	
6	Operation of the heater when either the heater or the operator is wet is prohibited	Do not use the heater where it is exposed to water, e.g. rain or snow, and do not operate the heater with wet hands or if it becomes wet. Water contact may cause an electric shock or other danger or malfunction.	
7	Do not use the heater in high altitudes	When the heater is used in an altitude higher than 1000m (3000 ft) above sea level, some adjustments will be required. Please contact your dealer about the adjustments. The heater, if not duly adjusted, may cause a fire.	
8	Stop using the heater when anything irregular is found	If a burning smell or smoke occurs during operation of the heater, immediately turn off the heater and consult your dealer. Further operation may result in a fire or other hazard.	
9	Do not move the heater while in operation	Moving the heater while it is on or otherwise in operation is prohibited. Movement may result in a fire, especially if the heater is overturned or unbalanced.	
10	Turn the heater off before unplugging it	Before taking the electric plug out of the outlet, please make sure the operating lamp is OFF.	
11	Turn off while refueling	Never refill the fuel tank when the heater is on or it is still hot. Refueling while the heater is still operating or hot may cause a “flash back” of flames to the fuel container or other hazard, causing serious injury and/or property damage. For the same reason, refueling should only be done outdoors and away from any open flame. In addition, spilling fuel on a carpet while refueling or otherwise creates an additional fire hazard.	
12	Use only the correct voltage	Only electrical voltage and frequency specified on the model plate must be used, to avoid a fire, electrical shock and/or damage.	
13	Ground the heater before operation	Prior to operation, confirm that the heater is properly connected to a grounded power cord and outlet. Attempting to use or operating the heater without proper grounding may result in dangerous electrical shock.	
14	Do not pull out the power plug by pulling on the power cord	When disconnecting the power cord, always pull out the plug, never the cord, to unplug the cord. To pull out the cord may damage the cord itself and result in fire through electrical shock or short circuit.	

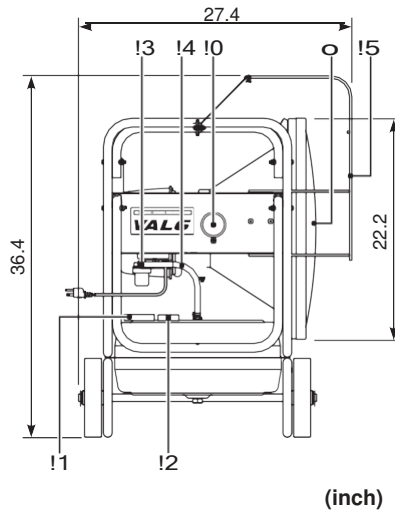
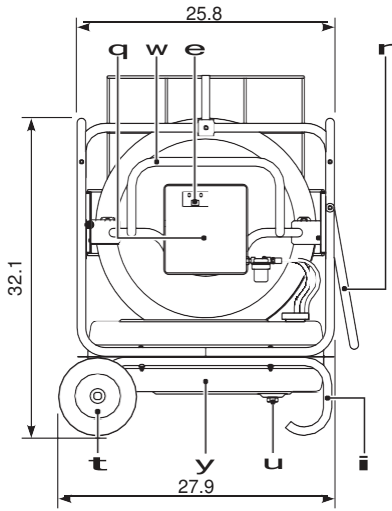
To Help Ensure Safe Operation, Comply with the Following Precautions

 CAUTION			
15	Do not damage the power cord	Do not place excessive force on the cord by bending, pulling, twisting, pinching or remodeling. Also, do not place any heavy objects on the heater, etc. that may damage it, to avoid a fire and electric shock.	
16	Use gloves	When cleaning the heater, use gloves, to avoid any injury to hand or fingers. Use of gloves while operating and moving the heater is also recommended.	
17	Make sure the flame is extinguished and the power off before leaving the heater unattended	After shutting off the heater, make sure that the flame is extinguished and the power disconnected before leaving the heater unattended. It is also not safe to leave the heater unattended while it is cooling off or to leave it in any area where children are present or may come upon it.	
18	Do not dispose of the heater illegally	When you dispose of the heater, please do not dispose of it illegally and consult your local authorities or specialists on how to properly dispose of it.	
19	Do not use the heater in the following places or conditions	<p>To prevent accident or injury, do not use the heater in the following places or under the following conditions:</p> <ul style="list-style-type: none"> • On vibrating, trembling, or unstable flooring • On ladders, scaffolds, or sawhorses • On any floor that is slanted, sloped, or not level • On stairs or anywhere where it might block access to emergency exits • Near unstable or stacked materials • In windy, humid, or dusty areas, and areas where metal particles are present • In areas where the flow of people or vehicles is impeded or obstructed <p>Always use caution in determining where to place the heater for use or storage and take into account both present and potential future dangers.</p>	
20	Do not operate in extreme temperatures	Make sure that the heater operates at temperatures between -20°C and 40°C (-4° and 104°F) for KBE5S and -20°C and 30°C (-4° and 86°F) for KBE5L. If the heater operates at more than 40°C (104°F) / 30°C (86°F), the heater will overheat and result in fire.	
21	Provide the Owner's Manual to the new owner	If the heater is sold or given to a new owner, make sure that this Owner's Manual is transferred to the new owner along with the heater.	
22	Do not use fuel of low quality	Do not use fuel of low quality such as discarded oil or fuel mixed with water.	
23	Be careful when moving or storing the heater	When the heater is moved or stored, it must be in a level position to avoid a leakage of fuel.	
24	Keep away from children	The heater should not be used, cooled, or stored where children could have access to it. The heater must not be ignited, operated, maintained, attended to, or otherwise used in any way by children.	
25	Children or the handicapped are not to operate this heater	This heater is not to be operated by children or physically handicapped or person without proper knowledge and experience unless they have been given proper supervision or instruction.	
26	Never look directly straight into the radiation disk	While the heater is in operation, avoid looking straight into the radiation disk. It may cause eye injury.	

2

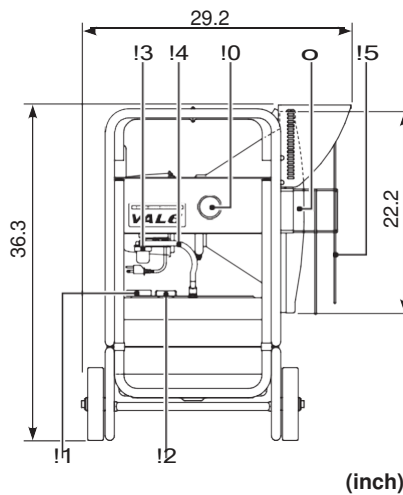
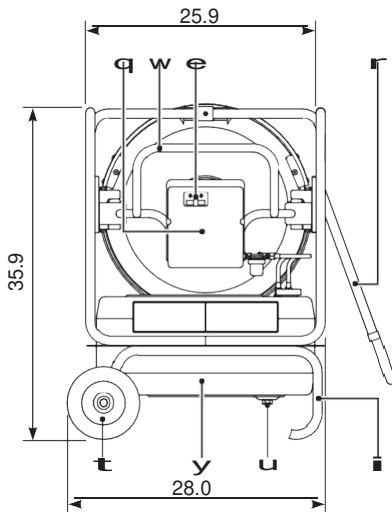
Names of components

• KBE5S

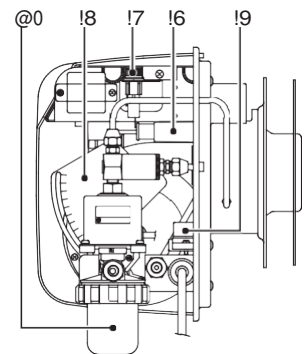


- q Burner Cover
- w Burner Handle
- e Switch Section
- r Transport Handle
- t Wheel
- y Fuel Tank
- u Drain Bolt
- Tank Legs
- Radiation Disk
- !0 Knob Bolt
- !1 Fuel Cap
- !2 Fuel Gauge
- !3 Fuel Filter
- !4 Fuel Suction and Return Hoses
- !5 Protector
- !6 Flame Monitor (Flame Eye)
- !7 Fuse
- !8 Air intake Motor
- !9 Tip-over Switch
- @0 Fuel Preheater (for KBE5L only)

• KBE5L

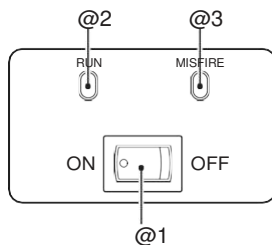


◆ Burner Section



◆ Switch Section

• KBE5S



@1 Operating Switch

This ignites or extinguishes the flame. (Refer to pages 10.)

@2 Operating Lamp

This is lit while (the heater is) operating and cooling down.

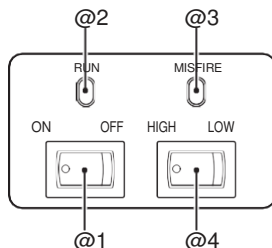
@3 Misfire Lamp

This is lit when the flame is extinguished irregularly.

@4 Change-over Switch (for KBE5L only)

This changes over combustion in two steps.

• KBE5L



When the flame is extinguished, turn "OFF" the operating switch.

Then turn "ON" the operating switch again after the cause of misfire is solved.

Description of Safety Devices	
!6 Flame Monitor	This automatically extinguishes the flame when ignition fails or flame goes out during the operation. This monitor, when it detects any irregularity before ignition, automatically extinguishes the flame. Operating condition: Misfire lamp is lit and Post-Purge continues for three (3) minutes.
!7 Electric Overload System (Fuse)	This shuts off the power supply when excessive electric current passes through, due to irregular trouble of the devices. Operating condition: The whole operation stops.
!9 Tip-over Switch	Automatically extinguishes the flame when motion or an impact is detected during operation. Operating condition: Misfire lamp lights and the post purge sequence will run for about 3 minutes if the heater is in operation.
@0 Fuel Preheater	This Fuel Preheater warms the fuel up to prevent its viscosity from rising. This starts to operate at the time of plugged-in.
Anomaly detection system for fan motor	This automatically extinguishes the flame when some errors are detected in fan motor such as cable disconnection or fan clogging.

How to use

3-1. Preparation for operation



DANGER

- Never use highly flammable fuel like gasoline, to avoid fire.
- Never contaminate or mix fuels. For example, never contaminate kerosene with gasoline by using a gasoline container to carry kerosene. Even a small amount of gasoline, or other volatile fuels, in kerosene is hazardous. Store kerosene only in containers specifically labeled and approved for kerosene and do not use the container for any other fuels or chemicals.



CAUTION

- Please refuel only while the heater is turned off and completely extinguished.
- Use only the electric power (voltage and frequency) specified on the model plate of the heater to operate the heater. Using electrical power different from the specifications may result in fire, electrical shock, and/or damage.
- Please confirm the ground/earth cable is properly connected, to prevent electrical shock.
- When disconnecting the electric power cord, be sure to always pull the plug out by itself. Do not pull out the plug by pulling on the power cord. Also, do not allow or cause excessive force to be exerted on the cord at any time to avoid damaging it and causing a fire or shock hazard. The heater should not be operated with the power cord in a taut or tightened position to further avoid damage to the cord, accidental unplugging of the electricity, and fire and/or shock.

■ Refueling

Observations

- Please use “kerosene” or “Fuel-Oil no heavier than No.2 (Diesel)” and do not use poor quality or foul fuel, to help avoid ignition, operating, and other problems.

- 1 Remove the fuel cap and insert a suction pump into the fuel tank.
- 2 Watch the fuel gauge while refueling. When the gauge reaches the maximum level, stop refueling.

- 3 Wipe off any fuel that has spilled onto the fuel tank or elsewhere. Replace the fuel cap and tighten it securely. Do not operate the heater with a loose fuel cap or without a fuel cap.

■ Adjust the angle of the main unit

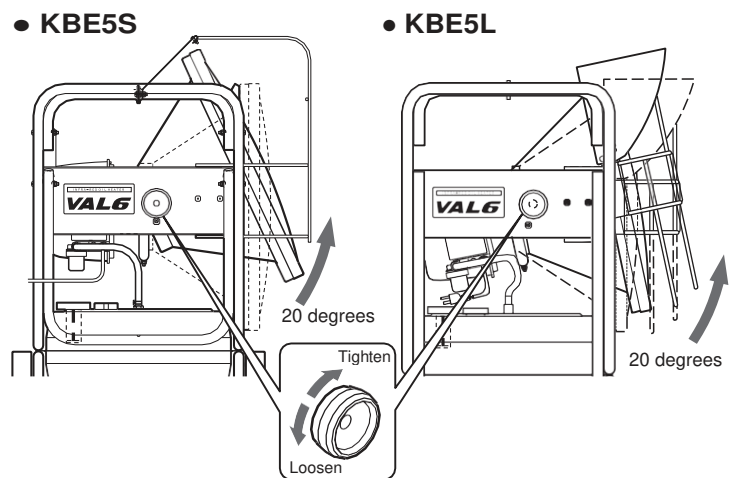


CAUTION

- Do not adjust the angle of the main unit while the heater is plugged in, operating, or hot to avoid severe burns and electric shock.

Prior to operation, loosen the knob bolt to move and set the main heater unit at the desired angle, and tighten the knob bolt firmly.

The vertical angle of the radiation disk is adjustable up to 20 degrees.



■ Connecting the Power Supply



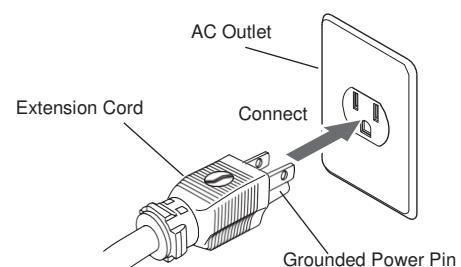
CAUTION

- Do not use an adapter to change the power plug or power outlet from grounded (3 prongs or inlets) to ungrounded (2 prongs or inlets) as this improperly overrides the safety function in grounding the heater by the provided power plug. Also if the power cord or plug need to be replaced, please be sure to replace it only with genuine or manufacturer-approved replacement parts.

- 1 Make sure that the operating switch is "OFF", then plug the heater's power plug into approved, grounded, three-wire extension cord.
- 2 Plug extension cord into standard 120 volt/ 60 Hz, 3-prong grounded outlet.

Extension Cord Size Requirement

- 6 to 10 feet (1.8 to 3 meters) long, use 18 AWG (0.75 mm²) rated cord
- 11 to 100 feet (3.3 to 30.5 meters) long, use 16 AWG (1.0 mm²) rated cord



3-2. Operating procedures



CAUTION

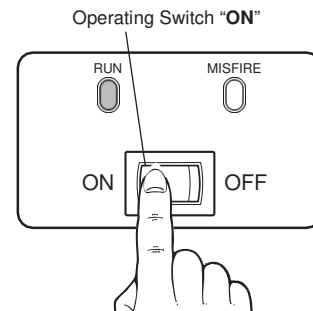
- If you detect smoke or a burning smell coming from the heater, turn the heater off immediately to help prevent a fire, contact your dealer and the heater inspected before further operation.
- More than three consecutive attempts to ignite the heater may cause a fire. If the heater does not ignite after three consecutive attempts, stop trying and contact your dealer for an inspection of the heater.
- When using the heater, be careful so that the floor surface (in front of it) may not get overheated.
- Do not operate the heater, while fuel tank is dirty and foul, to prevent poor ignition or improper burning.

■ Ignition Procedures

Observations

- To make sure the heater is ignited, please do not leave the heater until you confirm that it is burning and otherwise functioning properly.

- 1 Use the fuel gauge to check if the fuel is sufficiently filled up in the tank.
- 2 Turn "ON" the operating switch, and the operating lamp will light and the heater will ignite in about 5 seconds.

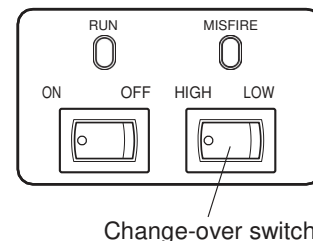


If ignition fails, try again as follows

Stop the operation completely. Wait for the operating lamp to turn off. After the operating lamp has turned off, try step 2 above again. **DO NOT TRY TO IGNITE THE HEATER MORE THAN THREE TIMES IN A ROW AS FIRE MAY RESULT.**

■ Changing combustion speed (for KBE5L only)

The heater has two-step combustion and it can be changed by change-over switch.



■ Shut-Down Operation



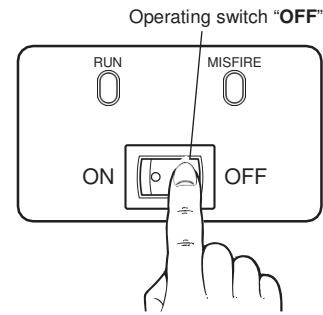
CAUTION

- After the operation is shut down, please make sure that the flame is completely extinguished before leaving the heater unattended or moving or storing it.

Observations

- Before you disconnect the power plug from the AC outlet, please make sure that the air intake motor is stopped.
- Never disconnect the power plug while the heater is operating, it will cause nozzle to be clogged.

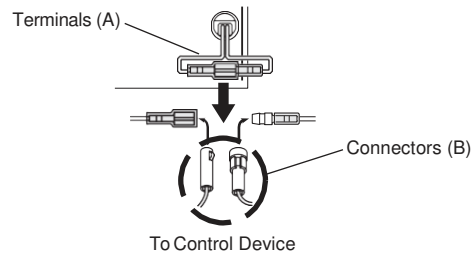
Turn “OFF” the operating switch, and the heater flame will be extinguished, then the cooling operation will also automatically stop after about three (3) minutes, and finally the operating lamp will turn off.



3-3. How to connect the Control Device

To connect the control device

- 1 Uncouple the terminals (A) attached to the tip of white wires that come out of the burner base.
- 2 Connect both male and female terminals, which are uncoupled, to the connectors (B) of control device.

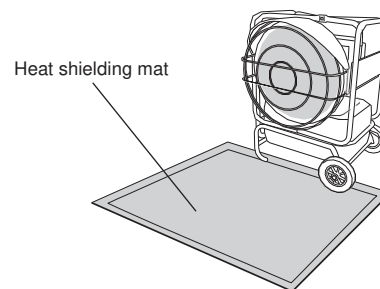


CAUTION

- When the heater is controlled by another device (such as a thermostat or a timer), the heater could turn itself on at any time.
- When the heater is controlled by another device, extra care must be taken to ensure that the heater is not accidentally turned on without someone nearby who can immediately attend to any problems when the heater is ignited, operating, and cooling off.

3-4. Use of the Heat Shielding Mat

To avoid unexpected fire or trouble, NEVER use the heater on combustible flooring unless the heat shielding mat, which is available as an option, is used.



3-5. Operation with Portable Generator



WARNING

- Before operating the heater from a portable generator, please confirm that the generator has been properly connected to the ground earth. To operate the generator without proper grounding may result in electrical shock. Please refer to the owner's manual supplied by the generator's manufacturer.

The heater operates within the voltage range of 108 Volts to 132 Volts. Before plugging the heater into the generator, the output voltage of generator should be verified.

If the voltage does not measure in this range, the heater should not be plugged into the generator.

Inspection



WARNING

- Never inspect or service the heater while it is burning, in operation, hot or plugged-in to avoid any injury and/or trouble.



CAUTION

- Before starting any inspection or service, to avoid electric shock, please make sure the heater is shut down and that the power cord is disconnected.
- When cleaning the heater, please wear gloves to prevent possible injury.

Observations

- Prior to each operation check the heater for signs of damage. Do not operate a damaged heater. Have it inspected and repaired by a qualified service agency.
- Prior to each operation check the heater for signs of fuel leakage. Do not operate a heater with fuel leakage. Have it inspected and repaired by a qualified service agency.

4-1. Daily inspection

■ Inspection of the filter and drainage of water from the fuel tank

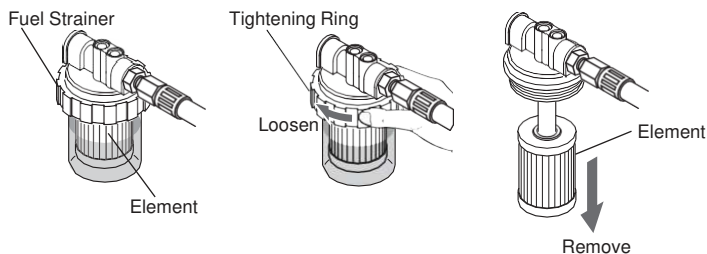


CAUTION

- Fuel preheater must be hot. Do not replace the filter element while the heater is plugged in, operating or hot to avoid severe burns.

Checking the filter element

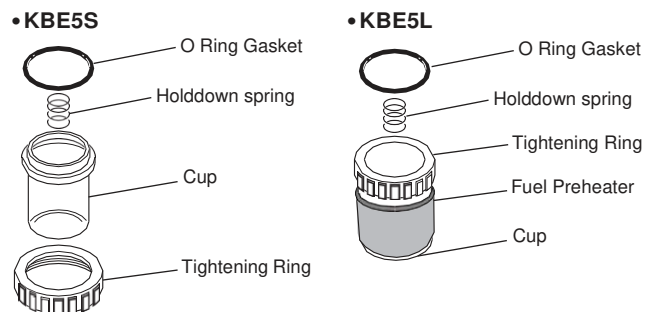
- 1 Check whether or not the filter element is dirty or fouled.
- 2 In case the filter element is dirty or clogged, please replace it with a new one, and bind the cup firmly with the tightening ring.



- 3 If water has collected in the cup, discard the water. Also, water in the cup means there is water in the tank as well. Follow the instructions on page 13 and drain the water from the fuel tank.

Observations

- Do not operate the heater without the filter element.



Drainage of water from the fuel tank

- 1 Remove the fuel cap and insert a suction pump into the tank.
- 2 Remove as much fuel as possible (with the suction pump). Be sure that the fuel being removed is put only into a can or other container approved in your area for holding flammable liquids such as kerosene and Fuel-Oil no heavier than No.2 (Diesel)

3 Tighten the fuel cap firmly.

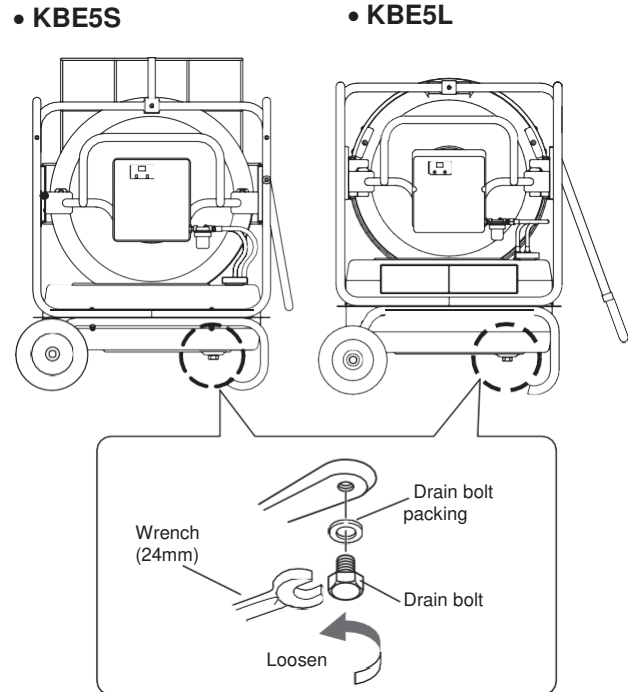
5 Next, use a 24mm wrench to remove the drain bolt and tilt the fuel tank until the fuel is completely drained out of the tank. (At the same time, be careful not to lose the drain bolt packing.)

6 Restore the drain bolt packing and tighten the drain bolt firmly so that fuel can not leak out (of the fuel tank).

7 Wipe off kerosene or water spilled over the tank and the surrounding area.

8 Be sure to dispose of in a safe manner as approved in your local area the kerosene, etc, placed in the empty container and the materials used to clean up any spilled kerosene, etc. Safely clean and/or dispose of the empty container as also approved in your local area.

4 Prepare an empty container of about 3 liters (0.7gallons) capacity: to hold kerosene and water remaining in the fuel tank, place the container under the drain bolt (of the fuel tank).



■ Inspection and cleaning of the flame monitor

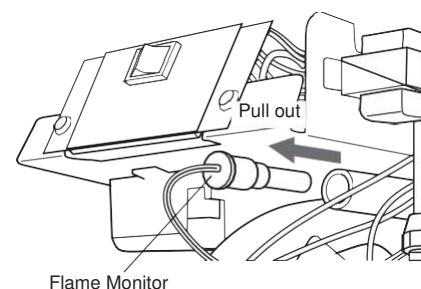
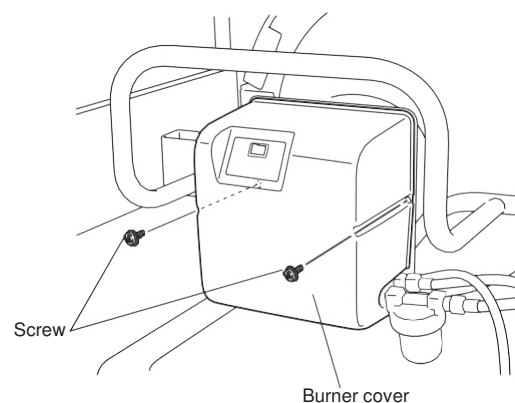
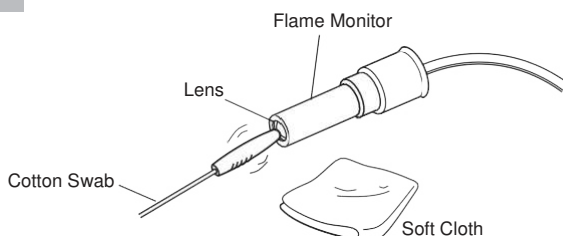
Observations

- When removing the flame monitor, hold it by its main assembly; do not pull out the cord.

1 Unscrew two screws of burner cover and remove the burner cover. Pull out the flame monitor and check whether or not its lens is dirty/foul.

2 If the lens is dirty/foul, clean the surface of the lens with a soft cotton swab or cloth until it is clear. Do not use any cleansers of any type, e. g., glass cleaner, to clean the lens.

3 Replace the flame monitor. Then securely replace the burner cover using the provided screws.



■ Inspection of “dirt/dust” on the main unit

1 Check whether or not dirt/dust is on and around the heater.

2 If dirt or dust is found, remove it with a vacuum cleaner or a soft, non-abrasive, cloth. Do not use any cleansers of any type, especially spray cleansers, as they may leave a residue or infiltrate the operating mechanism of the heater and cause a fire, clog or otherwise damage the heater.

4-2. Periodic inspection

The heater must be checked periodically, and especially after periods of sustained or heavy use, for safe and proper operation, and for service maintenance. Have your dealer inspect the heater no less than twice a year.

How to store the heater



CAUTION

- If the heater is stored or not used for an extended period of time, empty the fuel tank to help prevent fuel leakage and other possible fire dangers.

When you store the heater, please disconnect the power plug from the extension cord and/or the AC outlet and store the heater indoors where it is less humid.

Observations

- Do not store the fuel over summer months for use during next heater season. Using old fuel could damage the heater.

- When you face problems with your heater, please refer to this checklist before consulting with your dealer.

In case satisfactory results do not result by referring to the table, or you have problems not described in this table, please contact your dealer. While consulting with him, please describe the problem you have, together with model name and serial number of your heater.

(For finding the heater's serial number, please refer to page 18.)

Phenomenon	Possible Cause	Remedy
The heater does not start. (The lamp does not light up.)	Power cord is not connected with an AC outlet. Power supply is cut off.	Please connect the power cord with an AC outlet, and check the power supply.
	Blown fuse	Replace fuse with a new one. (Please refer to page 16.)
The heater does not start. (The lamp is lit.)	Safety devices are working.	Please confirm if "Flame Monitor" is exposed to any type of light (sunlight or electric lamp, etc.), and move the heater to prevent the radiation disk from detecting any type of light directly.
The heater does not ignite.	No fuel in the fuel tank.	Please pour fuel into the tank.
	There is water in the fuel tank.	Please clean up the tank and fill it with fresh/clean fuel.
	Fuel filter element is clogged.	Check the filter element and replace it with a new one.
	Nozzle is clogged	Replace nozzle with a new one. (Please refer to page 16.)
The flame goes out during the operation.	Wrong or foul fuel is used.	Please clean up the fuel tank and fill it with fresh/new fuel.
	Flame monitor is dirty.	Please clean up the Flame Monitor (Please refer to page 13).
	Fuel filter element is clogged.	Please check the filter element and replace it with a new one.

If the following phenomenon takes place, it is usually not a sign of trouble. Please check again before consulting with your dealer.

Phenomenon	Explanation
When used for the first time, smoke or smell comes out of the heater.	Because fuel is burning together with dusts, etc. This phenomenon will disappear after a short while.
At the time of ignition or shut-down of the heater, noise comes from the burner section.	Noise is caused by expansion or shrinkage of the burner section due to temperature's up and down. This is not irregular.

Exchange procedure



WARNING

- Never service the heater while it is burning, in operation, hot or plugged-in to avoid any injury and/or trouble.

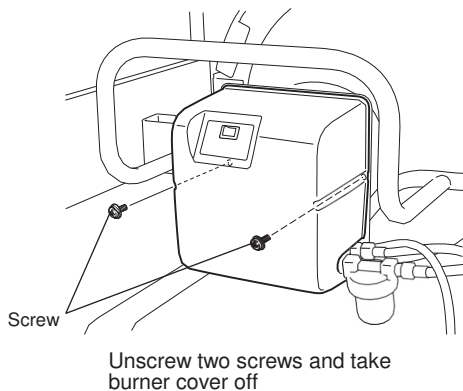


CAUTION

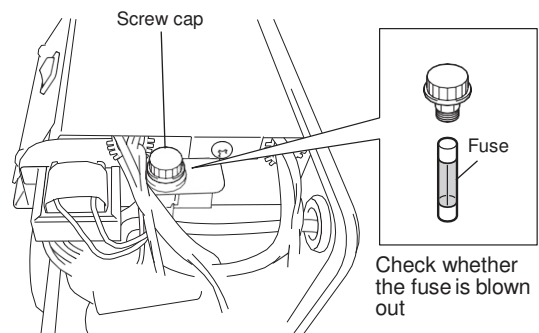
- Before starting any service, to avoid electric shock, please make sure the heater is shut down and that the power cord is disconnected.
- When servicing the heater, please wear gloves to prevent possible injury.

7-1. Fuse

- 1 Unscrew two screws of burner cover and remove the burner cover.
- 2 Unscrew the screw cap of fuse holder and take out the fuse.



- 3 Replace with a new one.
- 4 Put the screw cap back into fuse holder.
- 5 Put the burner cover back with two screws removed.



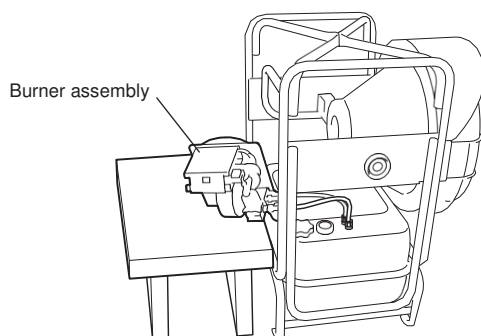
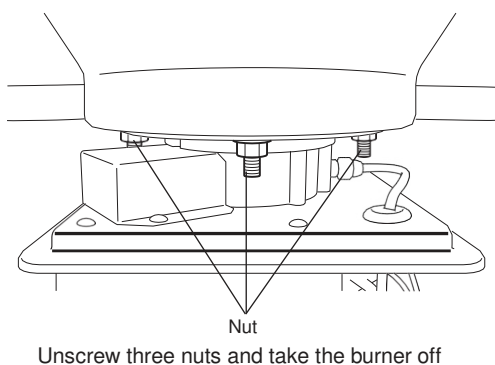
Open a screw cap and take out a fuse

7-2. Nozzle

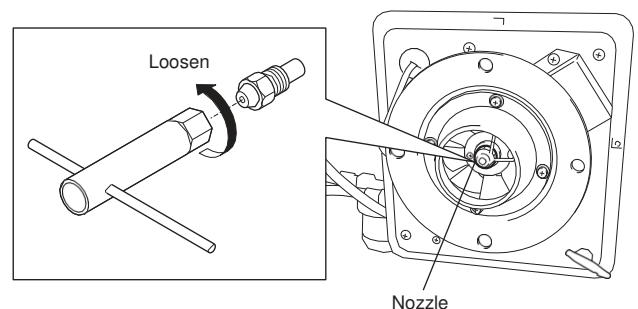
Observations

- Place the burner assembly taken out within the reach of two fuel hoses.

- 1 Remove three nuts from burner attachment bolts and take the burner assembly off.



- 2 Remove the nozzle using the nozzle wrench provided as standard parts. Replace with a new nozzle.



- 3 Tighten the nozzle using the nozzle wrench until the nozzle is fixed.
- 4 Put the burner assembly back with three nuts removed.

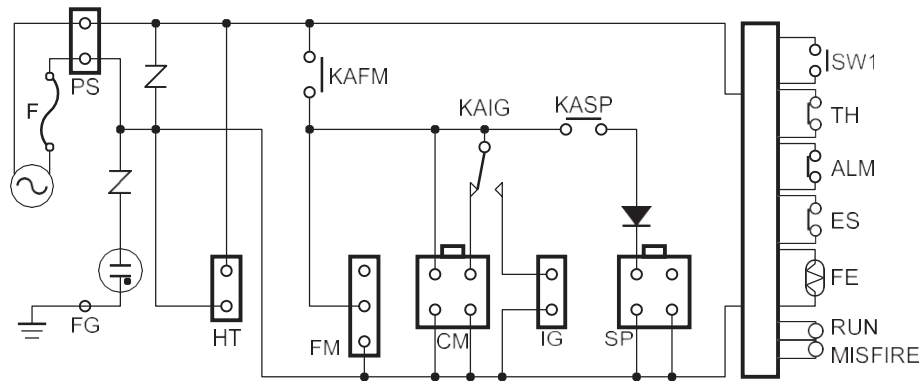
Specifications

Model Number	VAL6KBE5S	VAL6KBE5L	Model Number	VAL6KBE5S	VAL6KBE5L
Type	Radiated direct flame		Power Supply	AC120V (60Hz)	
Ignition System	High intensity discharge		Power Consumption	• When igniting: 100 W	• When igniting: 150 W
Fuel	Kerosene or Fuel-Oil no heavier than No.2(Diesel)		• When burning: 80 W	• When burning: 120 W	
Fuel Consumption	0.85 gallons/h, 2.67kg/h	High : 0.90 gallons/h, 2.82kg/h Low : 0.75 gallons/h, 2.32kg/h	Fuse Type	3A	
Heat Output	111,000BTU, 32.5kW	High : 118,000BTU, 35kW Low : 100,000BTU, 29kW	Noise Level	69dB (A)	High : 72dB (A) Low : 71dB (A)
Tank Capacity	9 gallons	15 gallons	Safety System	<ul style="list-style-type: none"> • Flame Monitor (Flame Eye) • Surge Protection System • Tip-over switch 	
Continuous Operating Time	10 hours	High : 16 hours Low : 20 hours	Standard Parts	<ul style="list-style-type: none"> • Filter Element x 2 • Nozzle x 1 • Nozzle Wrench x 1 • Oil Seal x 2 	
Dimensions (inch) (H x W x D)	36.4 x 27.9 x 27.4	36.3 x 28.0 x 29.2			
Weight (Dry)	83.8 lbs, 38kgs.	92.6 lbs, 42kgs.			

English

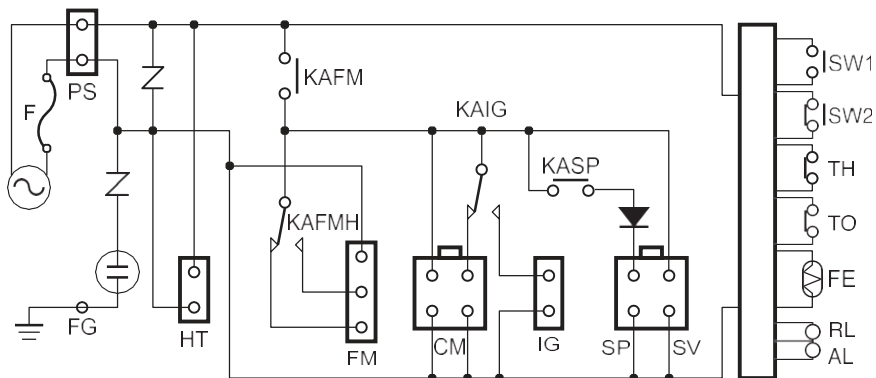
Wiring Diagram

• KBE5S



PS : Power Source
 SW1 : Operation Switch
 ALM : Short
 TH : Thermostat
 FE : Photo Cell
 FG : Flame Grand
 HT : Open (Fuel Preheater)
 FM : Air Intake Motor
 CM : Open
 IG : Igniter
 SP : Solenoid Pump
 RUN : Running Lamp
 MISFIRE : Misfire Lamp
 KA* : Control Relay
 F : Line Fuse
 ES : Earthquake Sensor (Short)

• KBE5L



PS : Power Source
 SW1 : Operation Switch
 SW2 : Change Over Switch
 TH : Thermostat (Short)
 TO : Tip Over
 FE : Photo Cell
 RL : Running Lamp
 AL : Misfire Lamp
 KA* : Control Relay
 F : Line Fuse
 FG : Frame Grand
 HT : Fuel Preheater
 FM : Air Intake Motor
 CM : (Open)
 IG : Igniter
 SP : Solenoid Pump
 SV : Solenoid Valve

Safety labels

- Safety labels provide important information for safe use of the heater. So, please do not remove or soil them.
- If any of the labels is unreadable or removed, please ask your dealer for a new one and replace with the new one.

q Danger Label

WARNING/AVERTISSEMENT

WARNING/AVERTISSEMENT

VENTILATION/AERATION

Always unplug heater before servicing and checking.
Débranchez systématiquement l'appareil de chauffage avant tout entretien et vérification.

Never touch heater until heater has cooled off.
Ne touchez jamais l'appareil de chauffage tant qu'il n'a pas refroidi complètement.

Use heater only in well ventilated areas.
Utilisez uniquement l'appareil de chauffage dans les endroits parfaitement aérés.

Never use heater where highly flammable vapors are present.
N'utilisez jamais l'appareil de chauffage en présence de vapeurs inflammables.

50300-201-023

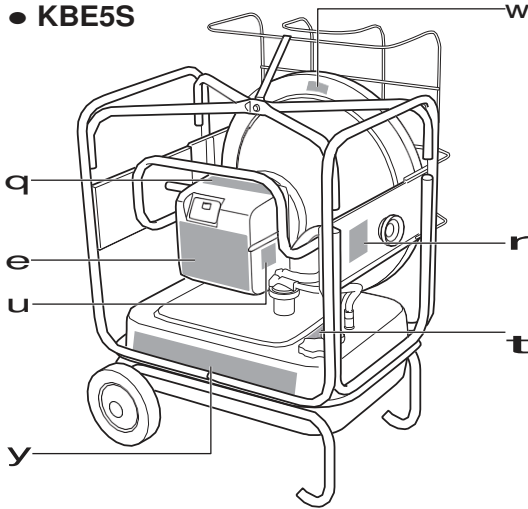
w Hot Surface Caution Label

WARNING/AVERTISSEMENT

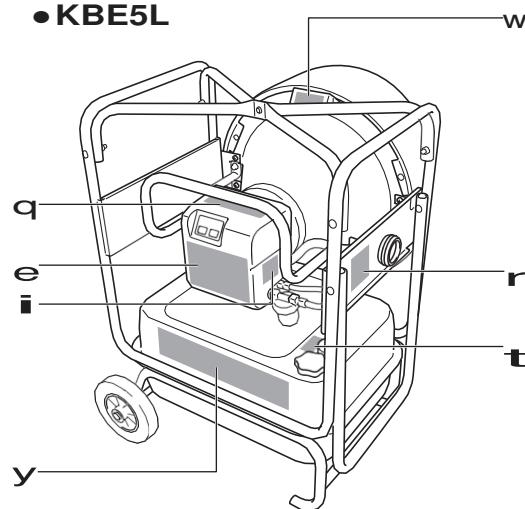
DO NOT TOUCH HOT SURFACE
NE PAS TOUCHER, SURFACE CHAUDE

50300-203-002

• KBE5S



• KBE5L



e Caution Label

Read Owner's manual before using. / Veuillez lire le mode d'emploi avant de faire usage de l'appareil.

Warning/ Avertissement

1. Never repeat switching on and off sequence more than 3 times, in such a case, consult with your distributor.
N'essayez pas de commuter l'appareil de chauffage sur marche et arrêt plus de trois fois de suite.
Si la nécessité se produit, consultez votre distributeur.
2. Never use heater in the presence of flammable or volatile gas such as spray can.
No jamais utiliser l'appareil de chauffage en présence de produits inflammables ou de gaz inflammables tels que ceux provenant d'aérosols.
3. Use only in places free of flammable vapor or high dust content such as chips and wastepaper.
Utilisez uniquement l'appareil de chauffage dans les endroits dénués de vapeurs inflammables ou dans les endroits dénués de très poussiéreux ou en présence de copeaux de bois, de papiers.
4. Never touch heater until heater has cooled off.
Ne jamais toucher l'appareil de chauffage tant qu'il n'a pas refroidi.

Caution/ Précautions

1. Keep heater away from flammable materials by 6 feet or more.
Maintenez l'appareil de chauffage des matériaux inflammables à au moins 6 pieds.
2. Do not use heater in places subject to rain, snow or high temperatures.
N'utilisez jamais l'appareil de chauffage dans les endroits où il risque d'être exposé à la pluie, la neige ou à des températures élevées.
3. For use on non combustible flooring only.
Le chauffage doit être utilisé sur un revêtement de sol non combustible à moins que le tapis signifie.
NEVER operate heater near combustible materials
NEVER operate heater near combustible materials
4. Never refuel while it is hot, operating or plugged-in.
Ne ravitaillez jamais l'appareil quand il est encore chaud, quand il est en marche ou qu'il est raccordé à la prise d'alimentation.
5. Never move heater while in operation.
Ne déplacez jamais l'appareil pendant qu'il est en marche.

50300-201-021

Operation/ Fonctionnement	Start to Comprehend / Commencer à Comprendre	Stop to Understand / Arrêter de Comprendre
• Turn operation switch on and combustion will start in about 5 seconds. Mettez l'appareil en marche pour que la combustion démarre environ 5 secondes plus tard.	• Turn operation switch off and combustion will stop. Arrêtez l'appareil pour que la combustion s'arrête.	
• Operation lamp and blower remain ON for 3 minutes after turning switch off and then stop automatically. La lampe témoin de fonctionnement reste allumée et la soufflerie reste en marche pendant 3 minutes après avoir commuté sur arrêt puis l'arrêt est automatique.		

LAMP/LAMPE TÉMOIN	MEAN/ MOYEN (ACTION/ACTION)
RUN/ EN FONCTION (GREEN/VERT)	AIR PURGE OR FIRING/ COOLING PURGE D'AIR OU PHASE DE REFFROIDISSEMENT
MISSFIRE/RATES D'ALLUMAGE (RED/ROUGE)	MISSFIRE/RATES D'ALLUMAGE EN RAISON DE FUEL BIRTH OR ARI/ÉCHEC DE COMBUSTION DUE TO PRÉSENCE D'IMPUR

High altitude use (over 3000 feet)
Air volume must be adjusted accordingly (more opening of the air inlet door for the higher altitude)
Air adjustment is located at inside of the cover.
Usage à haute altitude (au-dessus de 3 000 pieds)
Le volume d'air doit être ajusté en conséquence (Plus grande ouverture du volet d'appel d'air en présence d'une altitude supérieure). Le réglage d'air se trouve à l'intérieur du capot.
The requirements of local authorities having jurisdiction shall be followed.
Les conditions imposées par les autorités locales ayant juridiction doivent être suivies.

r Floor Temperature Caution Label

WARNING/ AVERTISSEMENT

Use the heater with a heat shielding mat on the combustible or heat sensitive floor.
Heat shielding mat [Part# 50300-205001 (1,200 x 1,200 x 3.5mm)] to be placed under the radiation disk to prevent from discoloring or burning the floor.

Utilisez le radiateur avec une protection thermique placée sur le sol, s'il est en matière inflammable ou sensible à la chaleur.
Protection thermique [Part# 50300-205001 (1,200 x 1,200 x 3.5mm)] à placer sous la zone de rayonnement pour éviter que le sol ne soit décoloré ou brûlé.

t Caution on Refueling Label

DANGER/DANGER

Never use gasoline
Ne jamais se servir d'essence

>PET< 50300-202-022

y Warning Label

Do not operate without reading this warning

Warning

- NEVER use gasoline for fuel
- Use only clean diesel fuel or kerosene
- Ventilation is required if used at indoor
- Do not operate heater unattended
- Heater may be hot after it is turned off
- Do not move the heater while burning

Ne pas utiliser avant d'avoir lu cette carte d'avertissement

Avertissement

- NE JAMAIS utiliser d'essence comme combustible
- Utiliser uniquement du gazole ou du kérosène épure
- Une ventilation de la pièce est nécessaire en cas d'utilisation à l'intérieur
- Ne pas laisser l'appareil de chauffage fonctionner sans surveillance
- Il se peut que l'appareil de chauffage soit encore chaud un moment après sa mise arrêt
- Ne pas déplacer l'appareil de chauffage lorsqu'il est allumé

NE pas utiliser l'appareil de chauffage sur un sol combustible

sans utiliser notre tapis de protection, vendu en option

NE JAMAIS utiliser l'appareil de chauffage à proximité de matériaux combustibles

Arrêter l'appareil de chauffage en cas d'apparition d'anomalie

Surveiller que le temps de fonctionnement est strictement de déboucher la prise électrique

Arrêter l'appareil de chauffage avant d'effectuer le ravitaillement de combustible

>PET< 50300-202-026

u Specifications Label

VAL6KBE5S

OUTPUT / Puissance de sortie	111,000BTU/h 32.5kW
FUEL CONSUMPTION / Consommation de combustible	0.85GAL/h 2.67kg/h
FUEL OIL / Combustible	#1 DIESEL (KEROSENE) / Mazout no.1 (Pétrole lampant)
POWER CONSUMPTION / Puissance consommée	100W with ignition spark à l'allumage / 80W with combustion en combustion
ELCTRIC REQUIREMENTS / Conditions électriques	120V 60Hz
SERIAL NO. 50300	
Numero de série	

Shizuoka Seiki Co., Ltd. CE SP US

Made in Japan

i Specifications Label

VAL6KBE5L

OUTPUT / Puissance de sortie	H: 118000BTU/h, 35kW L: 100000BTU/h, 29kW
FUEL CONSUMPTION / Consommation de combustible	H: 0.9GAL/h, 2.82kg/h L: 0.75GAL/h, 2.32kg/h
FUEL OIL / Combustible	Kerosene or Fuel Oil no heavier than NO.2 (Diesel)/Kerosene ou gasoil.
POWER CONSUMPTION / Puissance consommée	150W with ignition spark à l'allumage / 120W with combustion en combustion
ELCTRIC REQUIREMENTS / Conditions électriques	120V 60Hz
SERIAL NO. 50300	
Numero de série	

Shizuoka Seiki Co., Ltd. CE SP US

Made in Japan

WARRANTY POLICY

VAL6 Infrared Heater series

SHIZUOKA SEIKI warrants that its heaters and component parts will be free from defects in material and workmanship for a period of 24 months from date of purchase, when properly installed, operated, and maintained in accordance with the installation and Maintenance Instructions, safety guides and labels contained with each unit. If any component proves defective in either material or workmanship during the limited warranty period, Shizuoka Seiki, at its option, repair the defective part or equipment, or replace it with a new part or equipment.

Proof of purchase and warranty qualification must be established at time of return.

**A copy of the bill of sale must be provided at time of return.*

Claim Procedure

All claims are to be submitted to the warranty processing center at 1-844-534-8051 (in the USA). After the initial evaluation by phone discussion, the most appropriate agent or specific procedure will be informed.

This limited warranty does not apply to heater, component or replacement part damage resulting from incorrect installation, misuse, abuse, accident, act of God, neglect, mishandling, contaminated fuel, modification, incorrect environments, or wear from ordinary use.

The warranty set forth above is the exclusive warranty provided by Shizuoka Seiki and all other warranties, including any implied warranties or merchantability or fitness for a particular purpose, are expressly disclaimed. In the event any implied warranty is not hereby effectively disclaimed due to operation of law, such implied warranty is limited in duration to the duration of the applicable warranty stated above. The remedies set forth above are the sole and exclusive remedies available hereunder. Shizuoka Seiki will not be liable for any incidental or consequential damages directly or indirectly related to the sales, handling or use of the equipment, and in any event Shizuoka Seiki in connection with the equipment, including for claims based on negligence or strict liability, is limited to the purchase price.

Some states do not allow limitation on how long and implied warranty lasts, so the above limitation may not apply to you. Some states do not allow the exclusion or limitation of incidental or consequential damages, so the above limitation or exclusion may not apply to you. This warranty gives you specific legal rights, and you may also have other rights which vary from state to state.

DIRECTIVES RELATIVES À L'ASSEMBLAGE

■ KBE5S

Cet appareil est emballé sans la protection ni les roues en place.

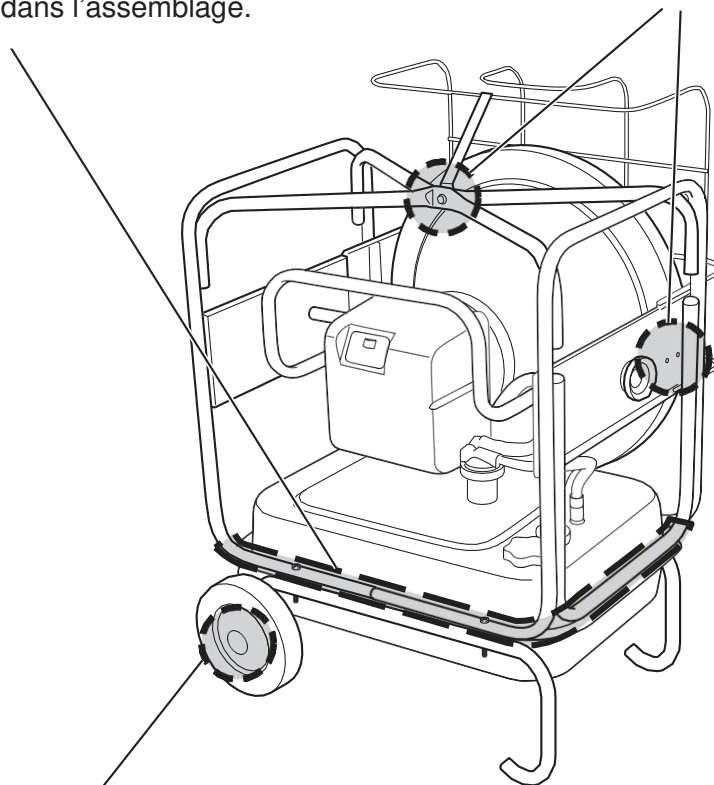
Avant d'assembler l'appareil, assurez-vous que l'appareil et les pièces qui l'accompagnent n'ont pas été endommagés pendant le transport. En cas de dommage, n'allez pas plus loin mais avisez immédiatement le distributeur auprès de qui vous avez acquis l'appareil. Avant d'utiliser l'appareil, montez la protection comme il convient. Respectez les instructions qui suivent pour assembler le cadre de sécurité et les roues dans l'ordre qui convient.

No.2

Posez la structure principale sur le support de la roue et immobilisez avec les vis et les dispositifs. Les vis utilisées pour les liaisons temporaires d'assemblage ne jouent aucun rôle dans l'assemblage.

No.3

La protection de sécurité doit être immobilisée fermement avec les vis fournies.



No.1

Engagez l'axe dans le plateau d'axe puis montez les roues, les rondelles et les goupilles fendues.



PRÉCAUTION

Pour éviter tout accident, n'utilisez pas l'appareil sans le cadre de protection.

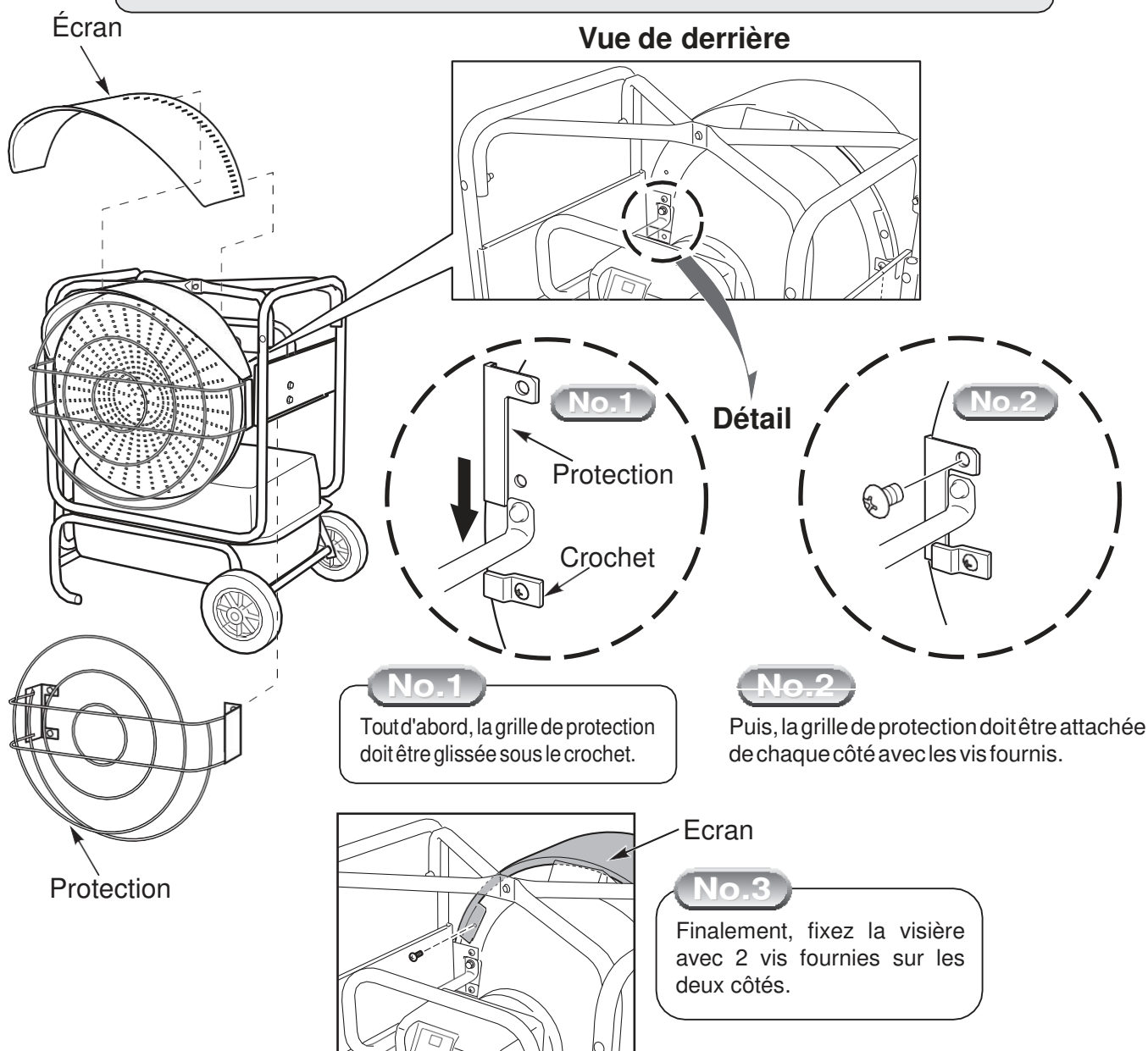
■ KBE5L

Cet appareil est emballé sans protection ni écran montés.

Avant d'assembler l'appareil, assurez-vous que l'appareil et les pièces qui l'accompagnent n'ont pas été endommagés pendant le transport. En cas de dommage, n'allez pas plus loin mais avisez immédiatement le distributeur auprès de qui vous avez acquis l'appareil. Avant d'utiliser l'appareil, montez la protection et l'écran comme il convient. Pour monter la protection et l'écran dans l'ordre prévu, suivez les instructions figurant ci-dessous.

Observation

Avant le montage, assurez-vous que les 6 vis et la visière sont compris dans l'emballage.



PRÉCAUTION

Pour éviter tout accident, n'utilisez pas l'appareil sans le cadre de protection.

1

Précautions particulières

- ◆ Ce manuel expose les précautions qu'il est impératif de respecter pour utiliser l'appareil convenablement et de manière sûre. Ces précautions sont classées en 3 catégories: ⚠ **Danger**, ⚠ **Avertissement** et ⚠ **Précaution**. Veuillez lire et parfaitement comprendre les détails et les significations de chaque catégorie.



DANGER

“DANGER” signifie que l'inobservation de la consigne mentionnée peut entraîner la mort, une blessure grave, ou un incendie sévère.



AVERTISSEMENT

“AVERTISSEMENT” signifie que l'inobservation de la consigne mentionnée peut, dans certains cas, entraîner la mort, une blessure grave, un incendie et/ou une explosion.



PRÉCAUTION

“PRÉCAUTION” signifie que l'inobservation de la consigne mentionnée peut entraîner une blessure grave et/ou un dommage matériel.

- * Selon les circonstances, même la catégorie “PRÉCAUTION” peut être à l'origine de blessures ou de dommages matériels graves. Les consignes et les conseils mentionnés dans chaque catégorie ont la même importance en termes d'utilisation sûre, autrement dit vous devez strictement les respecter quelle que soit la catégorie à laquelle ils appartiennent.

- Les pictogrammes suivants, employés dans ce manuel, se définissent comme suit:

	Interdit (Il indique que les “actions sont strictement interdites”.)
	Obligatoire (Cela indique des “actions ou directives” qui doivent être appliquées.)
	Précaution (Il indique que des “actions” qui exigent une attention particulière.)

Avis important



AVERTISSEMENT

- Quand cet appareil de chauffage est utilisé ou entretenu, veuillez suivre toutes les directives décrites dans ce manuel.
- Lors du remplacement d'une pièce, n'utilisez qu'une pièce d'origine, fabriquée ou approuvée par le fabricant de l'appareil de chauffage. Nous ne saurions être tenus responsables des dommages ou des accidents résultant de l'utilisation de pièces qui ne sont ni d'origine ni approuvées.
- Nous ne saurions être tenus responsables des dommages ou des accidents résultant de l'inobservation des instructions de ce manuel, du non-respect des dispositions qui y sont mentionnées, de modifications non prévues apportées à l'appareil ou d'une utilisation non conforme à sa destination.
- L'État de Californie exige que soit mentionné l'avertissement suivant:

⚠ AVERTISSEMENT: LES SOUS-PRODUITS DE COMBUSTION GÉNÉRÉS PAR L'UTILISATION DE CET APPAREIL CONTIENNENT DU MONOXYDE DE CARBONE, UN CORPS CHIMIQUE CONSIDÉRÉ PAR L'ÉTAT DE CALIFORNIE COMME PROVOQUANT DES CANCERS ET DES ANOMALIES CONGÉNITALES (OU D'AUTRES ANOMALIES DE LA REPRODUCTION).

1. Comme nous ne pouvons pas prédire chaque type de situation présentant un danger pendant l'utilisation de cet appareil de chauffage, les descriptions qui apparaissent dans ce manuel ne pourraient pas prévoir entièrement une gamme complète de cas de figure présentant un danger. En conséquence, lorsque vous utilisez ou inspectez quotidiennement l'appareil veillez à respecter le contenu de ce manuel et des étiquettes posées sur l'appareil, et tenez compte des facteurs qui peuvent perturber son exploitation sûre. N'hésitez pas à interrompre son fonctionnement et à consulter le distributeur si vous avez des questions concernant un aspect de l'appareil qui ne serait pas abordé dans ce manuel.
2. Si vous avez des questions ou si vous désirez des informations plus détaillées, consultez le distributeur.
3. Si vous découvrez que des pages sont anormales ou manquent dans ce manuel, veuillez contactez votre revendeur et nous l'échangerons par une documentation neuve.
4. Veuillez conserver soigneusement les pièces standard qui sont fournies avec l'appareil.
5. Il appartient à l'utilisateur de l'appareil d'informer toute personne travaillant à proximité ou s'approchant de l'appareil des dangers qu'elle court et des précautions de sécurité qu'elle doit suivre conformément au contenu du manuel.











Objectif du présent manuel d'instructions














Ce manuel est destiné à vous fournir les informations détaillées dont vous avez besoin pour utiliser l'appareil de chauffage VAL6 et l'entretenir dans les meilleures conditions.

Pour garantir une utilisation sûre de l'appareil, respectez les précautions suivantes














* Il est important que les précautions de sécurité mentionnées ci-dessous soient comprises avant la première utilisation de l'appareil. Ces précautions doivent ensuite être respectées à la lettre.

⚠ DANGER			
1	Usage de l'essence interdit	N'utilisez jamais d'essence, que ce soit pour nettoyer l'appareil, comme combustible ou toute autre raison, à proximité de l'appareil, pendant son fonctionnement ou non, car vous vous exposez à des risques d'incendie ou d'explosion.	
2	Usage interdit de produits inflammables	N'utilisez pas l'appareil, ne le rangez pas, dans un local où se trouvent des diluants, de l'essence, du propane liquéfié, ou tout autre produit dégageant des vapeurs aisément inflammables, etc., car vous vous exposez à des risques d'incendie ou d'explosion.	
3	Ventilation exigée	N'utilisez pas l'appareil dans un local mal aéré. Un défaut de ventilation favorise l'accumulation du monoxyde de carbone produit par l'appareil, tout particulièrement si à cela s'ajoute une combustion incomplète. Le MONOXYDE DE CARBONE est un gaz toxique, sans couleur ni odeur, qui peut entraîner un empoisonnement grave, voire la mort. Veillez à ce que de l'air frais extérieur soit apporté en permanence dans le local dans lequel l'appareil est utilisé. Certaines personnes sont plus sensibles que d'autres au monoxyde de carbone, c'est le cas en particulier des femmes enceintes, des personnes souffrant d'une affection cardiaque ou pulmonaire, ou d'anémie, ou encore de personnes ayant consommé de l'alcool. Par ailleurs, l'altitude rend plus susceptible aux dangers du monoxyde de carbone. Les signes avant-coureurs d'un empoisonnement au monoxyde de carbone sont: mal de tête, étourdissement, brûlure des yeux ou du nez, nausée, sécheresse de la bouche, irritation de la gorge. Si l'un de ces signes se manifeste, consultez immédiatement un médecin, aérez la pièce et arrêtez immédiatement l'appareil.	
⚠ AVERTISSEMENT			
1	Conservez tout récipient contenant un aérosol loin de l'appareil	Ne placez aucun récipient scellé et pressurisé (par exemple un récipient métallique d'aérosol) près de l'appareil car la chaleur qu'il dégage peut faire monter la pression à l'intérieur du récipient et provoquer son explosion avec une force dévastatrice.	
2	Ne jamais utiliser l'appareil de chauffage dans les endroits où des poussières ininflammables sont présentes.	Ne mettez jamais l'appareil de chauffage en service dans un endroit où des poussières très ininflammables (de bois, papier, tissu, etc.) sont présentes. Les poussières, une fois aspirées et chauffées par l'appareil de chauffage, seront projetées sous la forme "d'étincelles" et ceci provoquera un incendie.	
3	Tenez compte de la présence de surfaces chaudes sur l'appareil ou au voisinage	Certaines parties de l'appareil (tandis qu'il est en fonctionnement et dans les 30 minutes, voire plus, qui suivent son arrêt) sont très chaudes et peuvent brûler la peau ou enflammer des vêtements et d'autres matières combustibles. Évitez de toucher l'appareil et les surfaces avoisinantes tandis qu'il est en fonctionnement et au cours des 30 minutes (au moins) qui suivent son arrêt. De plus, ne déplacez pas l'appareil quand il est en fonctionnement ni lorsqu'il est chaud.	
4	N'entretenez pas l'appareil de chauffage pendant une combustion	Ne procédez à aucun entretien ni déplacement de l'appareil de chauffage pendant une combustion, tandis qu'il fonctionne ou qu'il est brûlant, car dans tous ces cas vous risquez de vous blesser ou de provoquer un accident.	
5	Modification de l'appareil de chauffage interdite	Ne modifiez l'appareil sous aucun prétexte. Toute modification augmente les risques de brûlure, d'incendie, d'explosion, etc., avant, pendant et après le fonctionnement de l'appareil.	
6	Faites attention aux décharges électriques	Pour éviter de subir une électrocution, n'utilisez jamais l'appareil de chauffage dans les endroits où il risque d'être exposé à la pluie, la neige ou à une humidité élevée. Si l'appareil venait à être immergé dans l'eau, en totalité ou partiellement, consultez immédiatement une société d'entretien pour le faire inspecter et savoir s'il doit être réparé avant d'être remis en service. Assurez-vous que la prise d'alimentation est débranchée de la prise de sortie secteur avant d'effectuer une inspection quotidienne et l'entretien.	
7	N'utilisez jamais le chauffage pour une application résidentielle	Ce chauffage est pour une utilisation industrielle uniquement. N'utilisez jamais ce chauffage pour quelque application résidentielle que ce soit. Une utilisation incorrecte peut entraîner un risque potentiel de mort, de blessures graves, d'incendie et/ou d'explosion.	

Pour garantir une utilisation sûre de l'appareil, respectez les précautions suivantes

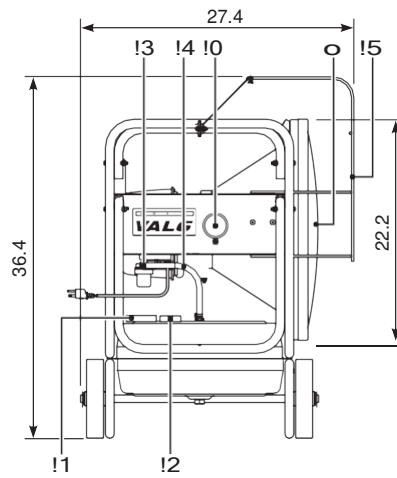
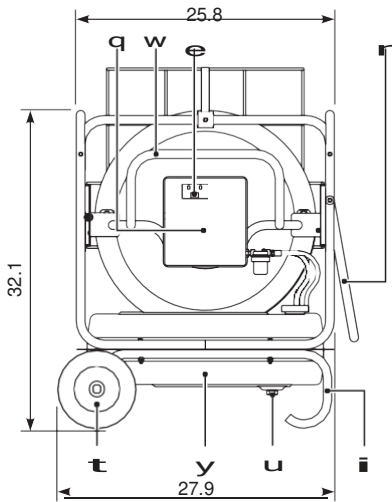
⚠ PRÉCAUTION			
1	Conservez les matières inflammables loin de l'appareil.	Pour éviter qu'un incendie se produise, veuillez garder tout produit inflammables à plus de 2,5m (8,2 pieds) loin de la partie frontale du disque de rayonnement et à plus de 2m (6.56ft.) de tous les côtés (gauche /droit et supérieur /arrière) de l'appareil de chauffage.	
2	Ne provoquer aucune obturation de l'appareil de chauffage	Pour éviter qu'un incendie se produise, ne placez jamais tout objet à moins d'un (1) mètre (3,28 pieds) du (de la partie frontale) disque de rayonnement.	
3	Ne tentez pas d'allumer l'appareil plus de 3 fois de suite.	Si l'appareil ne s'allume pas dès la première tentative, limitez à deux les tentatives suivantes, faute de quoi vous vous exposez à un incendie. Si l'appareil n'est pas allumé à la troisième tentative, consultez le distributeur avant toute autre chose.	
4	Nefaites pas fonctionner le chauffage sans surveillance.	Ne laissez pas l'appareil en fonctionnement sans surveillance, ni d'ailleurs pendant la phase de refroidissement, de façon qu'il soit possible de pallier tout incident imprévu tel qu'un début d'incendie.	
5	Poser l'appareil sur une matière ou un plancher combustibles est interdit.	L'appareil doit être posé sur une matière ou un plancher non combustibles, à moins que vous n'interposiez le tapis isolant n° 503002-05001. Matériaux du tapis de protection: Tissu de fils de verre et film d'aluminium. Dimensions du tapis de protection: 1200 x 1200 x (3,5) mm (L x W x H)	
6	La mise en fonctionnement de l'appareil par un utilisateur mouillé est interdite; il en de même si c'est l'appareil qui est mouillé.	N'utilisez pas l'appareil dans un endroit où il peut être exposé à l'eau, à la pluie, à la neige, et ne touchez pas l'appareil si vous avez les mains mouillées, ou encore si l'appareil est mouillé. L'eau peut être à l'origine d'une secousse électrique, ou provoquer une anomalie de fonctionnement.	
7	N'utilisez pas l'appareil de chauffage à hautes altitudes	Quand l'appareil de chauffage est utilisé dans une altitude supérieure à 1 000m (3 000 pieds) au-dessus du niveau de la mer, des réglages supplémentaires sont nécessaires. Veuillez contactez votre revendeur au sujet de ces réglages. L'appareil, s'il n'a pas été convenablement réglé, peut provoquer un incendie.	
8	Cessez d'utiliser l'appareil de chauffage quand la moindre anomalie de fonctionnement est détectée	Si une odeur de brûlé ou de la fumée se dégagent pendant le fonctionnement de l'appareil, arrêtez-le immédiatement et consultez le distributeur. Conserver l'appareil en fonctionnement peut entraîner un incendie ou exposer à un autre risque.	
9	Ne déplacez pas l'appareil de chauffage pendant une combustion Ne déplacez l'appareil quand il est en fonctionnement	Déplacer l'appareil quand il est en fonctionnement est interdit. Tout déplacement peut provoquer un incendie, tout particulièrement si l'appareil venait à être renversé ou déséquilibré.	
10	Mesure de précaution à prendre au moment d'éteindre l'appareil de chauffage. Arrêtez l'appareil avant de couper son alimentation électrique.	Avant de débrancher la fiche du cordon d'alimentation, assurez-vous que le témoin de fonctionnement est éteint.	
11	Mise à l'arrêt pendant le ravitaillement	Ne remplissez pas le réservoir de combustible tandis que l'appareil est en fonctionnement ou chaud. Cette opération peut provoquer un "retour" de flammes vers le récipient de combustible ou un phénomène dangereux similaire, à l'origine de blessures ou de dommages matériels. Pour les mêmes raisons, le remplissage doit être effectué à l'extérieur et loin de toute flamme nue. En outre, le renversement possible d'un peu de combustible sur la moquette lors du remplissage crée un risque supplémentaire d'incendie.	
12	Utiliser seulement sur la tension appropriée	Seule la tension électrique et la fréquence spécifiées sur la plaque du modèle doivent être utilisées, pour éviter de provoquer un incendie, une électrocution et/ou de provoquer des dégâts.	
13	Mise à la terre ou à la masse del'appareil de chauffage avant sa mise en service	Avant la mise en fonctionnement, assurez-vous que l'appareil est relié à une prise électrique par un cordon pourvu d'une terre. L'utilisation de l'appareil sans qu'il soit relié à la terre vous expose à une secousse électrique dangereuse.	

Pour garantir une utilisation sûre de l'appareil, respectez les précautions suivantes

⚠ PRÉCAUTION			
14	Ne tirez pas sur le cordon d'alimentation	Au moment de débrancher le cordon d'alimentation, tirez toujours sur la prise, jamais sur le cordon pour débrancher le cordon. Le fait de tirer directement sur le cordon peut endommager le cordon lui-même et se traduire par un incendie à la suite d'une électrocution ou un court-circuit.	
15	N'endommagez pas le cordon d'alimentation	N'exercez jamais une force excessive sur le cordon, que ce soit en le courbant, tirant dessus, le tordant, le pinçant ou le modifiant. Par ailleurs, ne posez aucun objet lourd sur l'appareil de chauffage, etc. car cela peut l'endommager, afin d'éviter de provoquer un incendie et une électrocution.	
16	Utilisez des gants	Lorsque vous nettoyez l'appareil de chauffage, veuillez utiliser des gants, pour éviter de vous blesser les mains ou les doigts. L'utilisation de gants est conseillée lorsque vous intervenez sur l'appareil ou le déplacez	
17	Assurez-vous que la flamme est éteinte et que l'alimentation électrique est coupée avant de laisser l'appareil sans surveillance	Après avoir arrêté l'appareil, assurez-vous que la flamme est éteinte et que l'alimentation électrique est coupée avant de laisser l'appareil sans surveillance. Il n'est pas prudent également de laisser l'appareil sans surveillance tandis qu'il est encore chaud, ni de le laisser sans surveillance dans une pièce où se trouvent des enfants.	
18	Ne mettez pas l'appareil de chauffage au rebut de façon illégale	Lorsque vous devez mettre l'appareil de chauffage au rebut, ne vous en débarrassez pas illégalement et consultez les autorités locales ou des spécialistes à propos de la façon de le mettre au rebut correctement.	
19	N'utilisez pas le chauffage dans les endroits ou conditions suivants	Pour éviter accident ou blessure, n'utilisez pas le chauffage dans les endroits ou conditions suivants: <ul style="list-style-type: none"> • Surface vibrante, tremblante ou instable • Échelle, échafaudage, chevalet de sciage • Plancher incliné, en pente ou non horizontal • Escaliers, tout endroit où il peut faire obstacle à l'accès à une issue de secours • Près de matériaux instables ou empilés • Dans un endroit humide, venteux, poussiéreux, ou en présence de particules métalliques • Dans un endroit où il fait obstacle au passage des véhicules ou des personnes Réfléchissez avant de choisir l'emplacement de fonctionnement ou de rangement de l'appareil et tenez compte des dangers actuels et potentiels.	
20	N'utilisez pas l'appareil en présence de températures extrêmes	Assurez-vous que l'appareil de chauffage est mis en service dans des températures situées entre -20° et 40°C (-4° et 104°F) pour le KBE5S et -20° et 30°C (-4° et 86°F) pour le KBE5L. Si l'appareil de chauffage est mis en service dans une température supérieure à 40°C (104°F)/30°C (86°F), il surchauffera et ceci se traduira par un incendie.	
21	Fournissez le manuel d'instructions au nouveau propriétaire	En cas de cession de l'appareil, n'oubliez pas de remettre ce manuel au nouveau propriétaire	
22	N'utilisez pas un combustible de mauvaise qualité	N'utilisez pas de combustible de mauvaise qualité tel que des huiles mises au rebut ou du combustible mélangé avec de l'eau.	
23	Soyez prudent lorsque vous devez déplacer ou ranger l'appareil de chauffage.	Vous devez déplacer et ranger l'appareil de chauffage de manière qu'il demeure de niveau, cela afin que le combustible ne se renverse pas.	
24	Tenez l'appareil hors de portée des enfants	L'appareil ne doit pas être utilisé, laissé en phase de refroidissement ni rangé dans un endroit où les enfants peuvent y accéder. Les enfants ne doivent pas allumer l'appareil, l'utiliser, l'entretenir, le surveiller ni en être responsables.	
25	Des enfants ou des personnes handicapées ne doivent pas utiliser ce chauffage	Ce chauffage ne doit pas être utilisé par des enfants, des personnes handicapées physiquement ou des personnes qui ne possèdent pas les connaissances correctes et l'expérience pour l'utiliser, sauf sous supervision ou instructions correctes.	
26	Ne regardez jamais directement le disque à radiation	Pendant que le chauffage est en fonctionnement, évitez de regarder directement le disque à radiation. Cela pourrait causer des blessures aux yeux.	

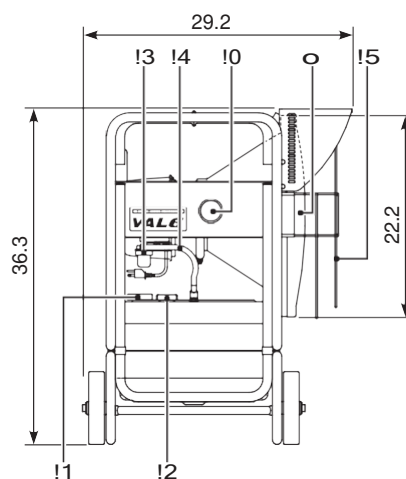
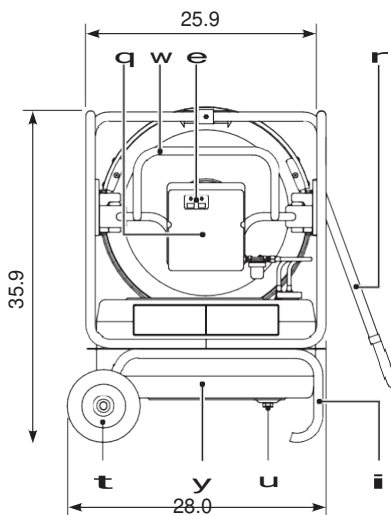
Noms des principaux composants

● KBE5S



(inch)

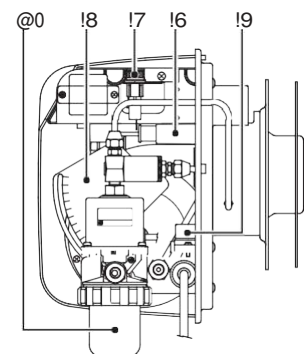
● KBE5L



(inch)

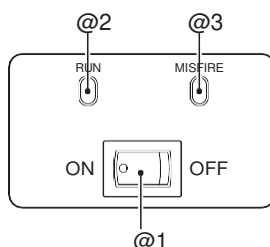
- q Couverture de protection de brûleur
- w Poignée de brûleur
- e Section commutateur
- r Poignée de transport
- t Roue
- y Réservoir à combustible
- u Boulon de purge
- i Pieds de réservoir
- o Disque de rayonnement
- !0 Bouton de commande
- !1 Bouchon de réservoir à combustible
- !2 Jauge à combustible
- !3 Filtre à combustible
- !4 Conduites flexibles d'aspiration et de retour de combustible
- !5 Protecteur
- !6 Contrôleur de flamme à cellule photo-électrique (œil magique)
- !7 Fusible
- !8 Moteur d'entrée d'air
- !9 Contacteur de renversement
- @0 Préchauffage du fioul (pour KBE5L uniquement)

◆ Section brûleur



◆ Section commutateur

● KBE5S



@1 Commutateur de fonctionnement

Ceci allume ou éteint la flamme. (Référez-vous aux pages 29 et 30.)

@2 Lampe témoin de fonctionnement

Elle est allumée pendant le fonctionnement la phase de refroidissement (de l'appareil de chauffage).

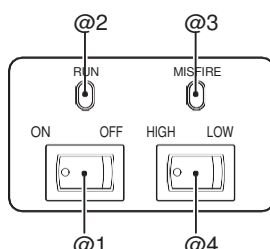
@3 Lampe témoin de ratés d'allumage

Elle s'allume quand la flamme est éteinte de façon irrégulière.

@4 Commutateur (pour KBE5L uniquement)

Change la surcombustion sur deux niveaux.

● KBE5L



Quand la flamme est éteinte, tournez le commutateur de fonctionnement sur [OFF]. Puis tournez-le de nouveau sur la position [ON] après que la cause du raté d'allumage a été éliminée.

Description des dispositifs de sécurité

!6 Contrôleur de flamme à cellule photo-électrique	Cela éteint la flamme automatiquement quand l'inflammation du combustible échoue ou que la flamme s'éteint pendant l'utilisation de l'appareil. Lorsque ce contrôleur détecte une anomalie avant l'allumage, il éteint la flamme. Condition de fonctionnement: La lampe témoin de ratés d'allumage s'allume et le post-nettoyage continue pendant trois (3) minutes.
!7 Système desurcharge électrique (Fusible)	Il coupe l'alimentation électrique quand un courant électrique excessif circule dans l'appareil pour des raisons de dysfonctionnements anormaux des dispositifs. Condition de fonctionnement: Interruption totale du fonctionnement.
!9 Contacteur de renversement	Ce contacteur provoque l'extinction de la flamme dès qu'un mouvement ou un heurt sont détectés pendant le fonctionnement. Condition de fonctionnement: Le témoin s'éclaire et la purge est réalisée pendant environ 3 minutes si l'appareil de chauffage est en fonctionnement.
@0 Préchauffage du fioul	Ce dispositif réchauffe le fioul pour l'empêcher de gagner en viscosité. C'est prévu de fonction au moment du branchement.
Détecteur d'anomalie du ventilateur	Ce système éteint la flamme quand une anomalie est détectée sur le ventilateur (câble débranché, ventilateur bloqué...)

Comment l'utiliser

3-1. Préparatifs d'utilisation



DANGER

- Ne jamais utiliser de combustible hautement inflammable tel que de l'essence, pour éviter tout risque d'incendie.
- Ne contaminez pas les combustibles, ne les mélangez pas. Par exemple, ne contaminez pas du kérosène avec de l'essence en vous servant d'un récipient à essence pour transporter du kérosène. Même une petite quantité d'essence, ou de tout autre combustible volatil, mélangée à du kérosène rend ce dernier dangereux. Conservez le kérosène dans un récipient fabriqué à cet effet et convenablement étiqueté, et n'utilisez pas ce récipient pour conserver d'autres combustibles ou produits chimiques.



PRÉCAUTION

- Veuillez ravitailler uniquement l'appareil de chauffage après l'avoir éteint et que la flamme se soit complètement éteinte.
- Ne faites fonctionner l'appareil qu'à partir de l'alimentation électrique (tension et fréquence) indiquée sur la plaquette signalétique. L'utilisation d'une autre alimentation peut provoquer un incendie, des secousses électriques ou des anomalies.
- Assurez-vous que le cordon est correctement mis à la terre de manière à ne pas vous exposer à une secousse électrique.
- Pour débrancher la prise, tirez sur la prise elle-même. Ne débranchez pas la prise en tirant sur le cordon. Veillez à ce que le cordon ne soit soumis à aucune force excessive susceptible de l'endommager ou de provoquer un incendie ou une secousse électrique. N'utilisez pas l'appareil si le cordon est écrasé ou placé dans un endroit exigu où il peut être endommagé ou débranché par inadvertance, ou encore provoquer un incendie ou une secousse électrique.

■ Ravitaillement en combustible

Observations

- Veuillez utiliser du “kérosène” ou du “gasoil” et n'utilisez pas de kérosène de mauvaise qualité ou souillé de manière à ne pas être exposé à des problèmes.

1 Retirez le bouchon de réservoir à combustible et insérez une pompe aspirante pratique dans le réservoir à combustible.

2 Observez la jauge à combustible pendant le ravitaillement.
Quand la jauge atteint le niveau maximal, arrêtez le ravitaillement en combustible.

3 Essayez soigneusement le combustible renversé, que ce soit sur le réservoir ou ailleurs. Remplacez le bouchon du réservoir et fermez-le soigneusement. Ne faites pas fonctionner l'appareil si le bouchon du réservoir est mal vissé, ni s'il est absent.

■ Ajustez l'angle d'orientation de l'appareil principal



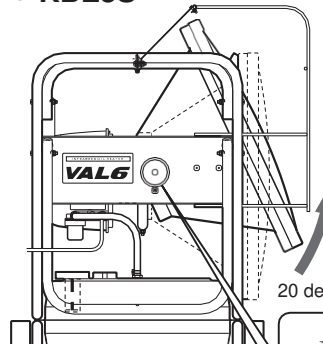
PRECAUTION

- Ne réglez pas l'angle de l'appareil quand il est relié au secteur, qu'il fonctionne ou qu'il est chaud car vous vous exposez à des brûlures ou des secousses électriques.

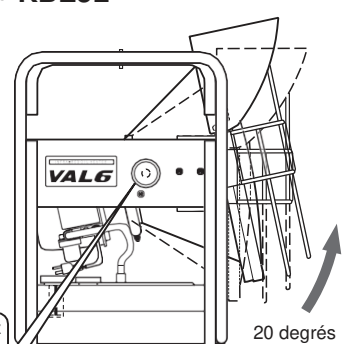
Avant de mettre l'appareil en fonctionnement, desserrez le boulon moleté et orientez l'appareil comme il convient puis serrez soigneusement le boulon moleté.

L'angle d'orientation verticale du disque de rayonnement est réglable jusqu'à 20 degrés.

• KBE5S



• KBE5L



■ Raccordement de l'alimentation



PRECAUTION

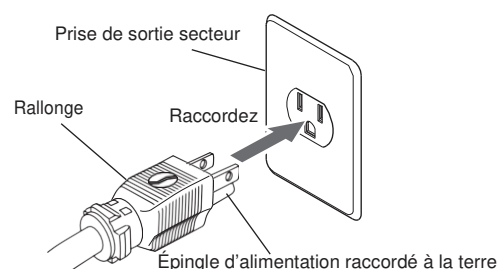
- N'utilisez pas d'adaptateur permettant d'alimenter l'appareil à partir d'une prise secteur à 2 broches (donc sans conducteur de terre) car cela porte atteinte à la sécurité qu'offre la prise à 3 broches fournie avec l'appareil. Si le cordon d'alimentation ou la prise doivent être remplacés, veillez à utiliser des pièces de rechange d'origine ou approuvées par le fabricant.

1 Assurez-vous que l'interrupteur de fonctionnement est bien sur la position “OFF”, puis branchez la fiche du cordon d'alimentation sur une rallonge agréée, reliée à la terre, et comportant 3 broches.

2 Rallonge reliée à une prise standard 120 Volts/60 Hz, munie de 3 broches.

Caractéristiques requises pour la rallonge d'alimentation

- 6 à 10 pieds (1,8 à 3 mètres), utilisez une rallonge 18 AWG (0,75 mm²)
- 11 à 100 pieds (3,3 à 30,5 mètres), utilisez une rallonge 16 AWG (1,0 mm²)



3-2. Procédures d'utilisation



PRÉCAUTION

- Si une odeur de brûlé ou de la fumée se dégagent de l'appareil, arrêtez-le immédiatement et consultez le distributeur pour qu'il l'inspecte avant toute remise en service.
- Ne tentez pas d'allumer l'appareil plus de 3 fois de suite car vous vous exposez à un incendie. Si l'appareil n'est pas allumé à la troisième tentative, consultez le distributeur pour qu'il l'inspecte avant toute remise en service.
- Quand l'utilisation de l'appareil de chauffage, vérifiez que la surface du sol (devant l'appareil) ne risque pas de surchauffer.
- Ne faites pas fonctionner l'appareil si vous savez que le réservoir est sale ou souillé car l'allumage peut être difficile ou la combustion incomplète.

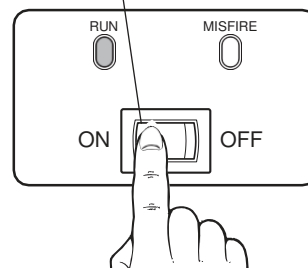
■ Procédures d'inflammation du combustible

Observations

- Ne laissez pas l'appareil sans surveillance aussi longtemps que vous n'êtes pas certain qu'il fonctionne normalement.

- 1 Utilisez la jauge à combustible pour vérifier si la quantité de combustible est suffisante dans le réservoir.
- 2 Tournez le commutateur de fonctionnement sur "ON", la lampe témoin de fonctionnement s'allumera et l'appareil de chauffage s'allumera en approximativement 5 secondes.

Commutateur de fonctionnement sur "ON"

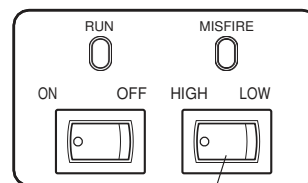


Si l'inflammation du combustible échoue, essayez encore ces procédures comme suit

Arrêtez le fonctionnement. Attendez que le témoin de fonctionnement s'éteigne. Lorsque ce témoin est éteint, répétez l'opération 2 ci-dessus. **NE TENTEZ PAS D'ALLUMER L'APPAREIL PLUS DE TROIS FOIS CONSÉCUTIVES CAR VOUS VOUS EXPOSEZ À UN INCENDIE.**

■ Changement d'allure de combustion (pour KBE5L uniquement)

L'appareil est doté de deux allures de combustion qui peuvent être sélectionnées à l'aide du contacteur correspondant.



Contacteur d'allure

■ Mise à l'arrêt



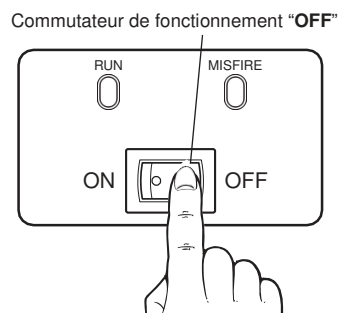
PRECAUTION

- Après arrêt de l'appareil, assurez-vous que la flamme est complètement éteinte avant de le laisser sans surveillance, de le déplacer ou de le ranger.

Observations

- Avant de débrancher la fiche d'alimentation de la prise secteur, veuillez vous assurer que le moteur d'entrée d'air est arrêté.
- Ne débranchez jamais la fiche d'alimentation pendant que l'appareil est en service, car cela causera l'engorgement de la buse.

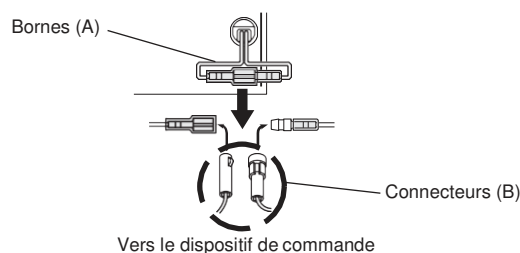
Positionnez le commutateur de fonctionnement sur "OFF" et la flamme du chauffage s'éteindra, puis les opérations de refroidissement s'arrêteront aussi automatiquement après trois (3) minutes, et finalement le témoin de fonctionnement s'éteindra.



3-3. Branchement du dispositif de commande

Pour connecter le dispositif de commande

- 1 Détacher les bornes (A) fixées aux extrémités des fils blancs qui sortent de la base du brûleur.
- 2 Brancher les bornes mâles et femelles, qui sont séparées, aux connecteurs (B) du dispositif de commande.

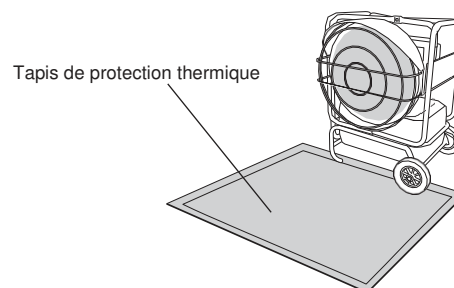


PRÉCAUTION

- Lorsque l'appareil de chauffage est commandé par un autre dispositif (tel qu'un thermostat ou une minuterie), l'appareil de chauffage peut se mettre en marche à tout moment.
- Si l'appareil est commandé par un dispositif extérieur, des précautions particulières doivent être prises pour qu'il ne soit pas mis en service par inadvertance alors que personne ne se trouve au voisinage pour intervenir en cas de danger que ce soit au moment de l'allumage, pendant le fonctionnement ou au cours de la phase de refroidissement.

3-4. Utilisation du tapis de protection thermique

Afin d'éviter tout risque d'incendie et autres dangers, NE JAMAIS utiliser l'appareil de chauffage sur un sol combustible sans utiliser le tapis de protection, disponible en option.



3-5. Alimentation à partir d'un groupe électrogène portable



AVERTISSEMENT

- Avant d'alimenter l'appareil de chauffage à partir d'un groupe électrogène portable, assurez-vous que le groupe électrogène a été convenablement relié à la terre. Faire fonctionner le groupe électrogène sans qu'il ait été relié à la terre, vous expose à une secousse électrique. Reportez-vous au mode d'emploi fourni avec le groupe électrogène.

L'appareil de chauffage doit être alimenté par une tension comprise entre 108 Volts et 132 Volts. Avant de brancher l'appareil de chauffage sur le groupe électrogène, vérifiez la tension de sortie de celui-ci.

Si elle n'est pas comprise dans les limites prescrites, ne branchez pas l'appareil de chauffage sur le groupe électrogène.



AVERTISSEMENT

- Ne procédez à aucune inspection ni à aucun entretien de l'appareil de chauffage pendant une combustion, tandis qu'il fonctionne ou qu'il est brûlant, car dans tous ces cas vous risquez de vous blesser ou de provoquer un accident.



PRECAUTION

- Avant de commencer toute opération d'inspection ou d'entretien, afin d'éviter toute électrocution, assurez-vous que l'appareil de chauffage est arrêté et que le cordon d'alimentation est débranché.
- Au moment d'effectuer le nettoyage de l'appareil de chauffage, veuillez porter des gants pour éviter de vous blesser.

Observations

- Avant toute mise en fonctionnement, assurez-vous du bon état de l'appareil. Ne faites pas fonctionner un appareil endommagé. Faites-le inspecter et réparer par une société d'entretien.
- Avant toute mise en fonctionnement, assurez-vous de l'absence de fuite. Ne faites pas fonctionner un appareil qui fuit. Faites-le inspecter et réparer par une société d'entretien.

4-1. Inspection quotidienne

■ Inspection du filtre et purge de l'eau du réservoir à combustible.

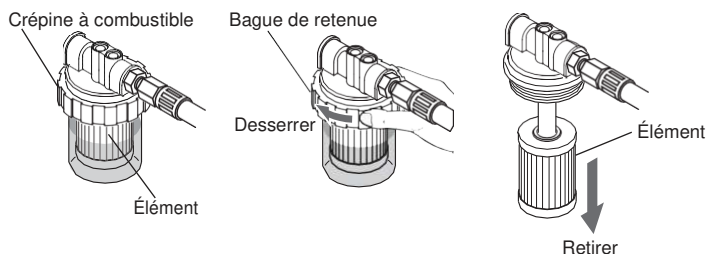


PRÉCAUTION

- Le tamis à combustible doit être chaud. Ne remplacez pas l'élément du filtre pendant que le chauffage est branché, en fonctionnement ou chaud pour éviter des brûlures sévères.

Vérifier l'élément du filtre

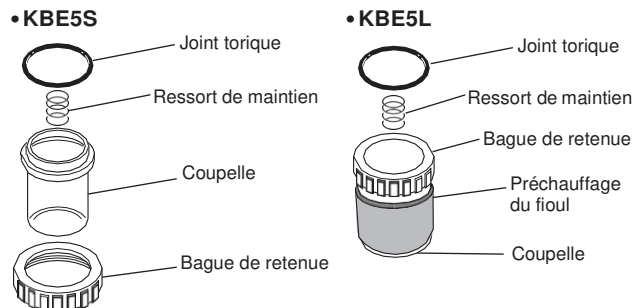
- 1 Assurez-vous que l'élément filtrant n'est ni sale ni encrassé.
- 2 Si l'élément filtrant est sale ou colmaté, remplacez-le par un élément filtrant neuf et maintenez solidement la coupelle à l'aide de la bague de serrage.



- 3 Si de l'eau s'est accumulée dans la coupelle, videz-la. Par ailleurs, la présence d'eau dans la coupelle signifie qu'il y a aussi de l'eau dans le réservoir. Suivez les directives indiquées aux page 32 et éliminer l'eau du réservoir à combustible.

Observations

- Ne faites pas fonctionner l'appareil sans l'élément filtrant.



Ne faites pas fonctionner l'appareil sans élément filtrant.

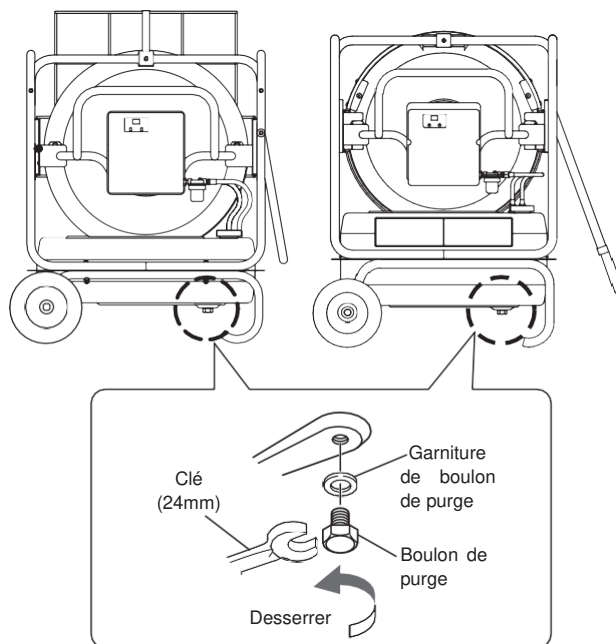
- 1 Retirez le bouchon du réservoir de combustible et insérez une pompe aspirante dans le réservoir.
- 2 Aspirez autant de combustible que possible avec la pompe. Veillez à verser le combustible retiré dans un récipient agréé dans votre pays pour contenir des liquides inflammables tels que du kérosène ou du gasoil.

- 3** Serrez soigneusement le bouchon du réservoir.
- 4** Munissez-vous d'un récipient vide pouvant contenir environ 3 litres (0,7 gallons); placez ce récipient sous le bouchon de vidange du réservoir de manière à recueillir le kérosène et l'eau qui demeurent encore dans le réservoir.
- 5** Cela fait, au moyen d'une clé de 24 mm, retirez le bouchon de vidange et inclinez le réservoir pour le vidanger entièrement. (Dans ce même temps, faites attention de ne pas perdre la garniture du boulon de purge.)
- 6** Remplacez le bouchon muni de la garniture et serrez-le très soigneusement pour que le combustible ne fuit pas hors du réservoir.
- 7** Essuyez le kérosène et l'eau renversés sur le réservoir et aux alentours.

- 8** Mettez au rebut le kérosène, les chiffons ayant servi à essuyer l'appareil et le kérosène renversé, etc., conformément à la réglementation en vigueur dans le pays ou la région. Procédez pareillement en ce qui concerne le récipient vide que vous nettoierez ou mettrez au rebut selon la réglementation locale.

• KBE5S

• KBE5L

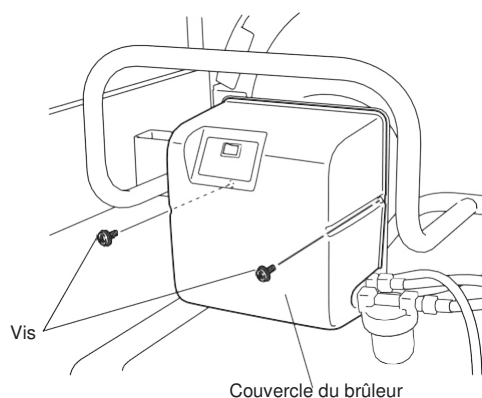


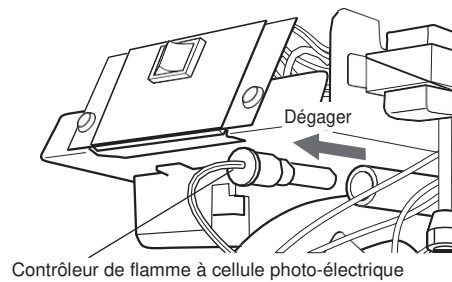
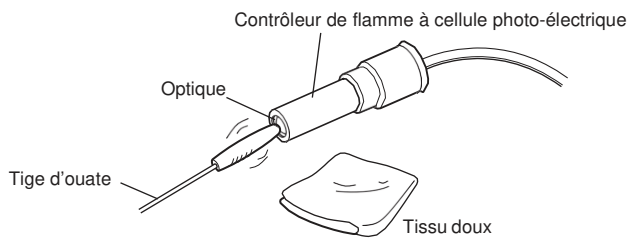
■ Inspection et nettoyage du contrôleur de flamme à cellule photo-électrique

Observations

- Lorsque vous retirez le contrôleur de flamme à cellule photo-électrique, tenez-le par son élément principal; ne débranchez pas le cordon.

- 1** Dévissez les deux vis du couvercle du brûleur puis déposez le couvercle. Tirez à vous le contrôleur de flamme et assurez-vous que sa lentille n'est pas sale ni obscurcie.
- 2** Si l'optique est sale ou souillée, nettoyez sa surface avec un coton-tige ou un chiffon jusqu'à ce qu'elle soit transparente. N'utilisez aucun produit de nettoyage, quel qu'il soit, pour nettoyer l'optique.
- 3** Remplacez le contrôleur de flamme. Cela fait, remontez le couvercle du brûleur au moyen des vis fournies.





■ Recherche de “poussières/saletés” sur l’appareil

1 Assurez-vous que l’appareil et son voisinage sont dépourvus de poussières et de saletés.

2 Dans le cas contraire, utilisez un aspirateur ou un chiffon doux non abrasif pour supprimer ces poussières ou saletés. N’utilisez aucun produit de nettoyage et tout particulièrement les aérosols de nettoyage qui laissent des résidus et s’infiltrent partout, y compris dans le mécanisme de fonctionnement de l’appareil où ils peuvent ultérieurement être la cause d’un incendie, ou bien colmater le mécanisme et entraîner une défaillance de l’appareil.

4-2. Inspection périodique

L’appareil doit être vérifié périodiquement, et plus spécialement après une période d’utilisation intensive; vous devez vous assurer de son bon fonctionnement et de son entretien. Demandez au distributeur d’inspecter l’appareil au moins deux fois par an.

Comment entreposer l’appareil de chauffage



PRECAUTION

- Si vous envisagez de stocker l’appareil et de ne pas l’utiliser pendant une longue période, vidangez le réservoir pour éviter toute fuite et supprimer les risques d’incendie.

Avant de stocker l’appareil, débranchez la fiche du cordon d’alimentation au niveau de la rallonge ou de la prise secteur; cela fait, stockez l’appareil à l’intérieur dans un endroit sec.

Observations

- N’entreposez pas du combustible pendant les mois d’été dans le but de l’utiliser la saison prochaine d’utilisation de l’appareil de chauffage. L’utilisation de kérosène ancien peut endommager l’appareil.

Dépannage

- **En cas d'anomalie, reportez-vous à la liste de vérifications avant de consulter une société d'entretien.**

Si ces vérifications ne vous permettent pas de résoudre le problème qui se pose à vous, ou s'il n'est pas mentionné dans le tableau, consultez le distributeur. Outre l'anomalie constatée, indiquez-lui le type et le numéro de série de l'appareil.

En le consultant, veuillez décrire le problème que vous avez en spécifiant également le type et le numéro de série de votre appareil de chauffage.

(Pour trouver le numéro de série de l'appareil de chauffage, référez-vous à la page 37.)

Phénomène	Cause possible	Remède
L'appareil de chauffage ne démarre pas. (Le témoin ne s'éclaire pas.)	Le cordon d'alimentation n'est pas raccordé à une prise de sortie secteur. L'alimentation est coupée.	Veuillez raccorder le cordon d'alimentation à une prise de sortie secteur et vérifiez l'alimentation.
	Fusible grillé	Remplacez le fusible par un fusible neuf de même calibre. (Reportez-vous à la page 35.)
L'appareil de chauffage ne démarre pas. (La lampe témoin est allumée.)	Les dispositifs de sécurité sont activés.	Assurez-vous que le "contrôleur de flamme" n'est pas exposé à une lumière (soleil, lampe électrique, etc.) et déplacez l'appareil de manière que le disque ne puisse pas détecter directement une lumière.
	Aucun combustible dans le réservoir à combustible.	Veuillez remplir le réservoir de combustible.
L'appareil de chauffage ne met pas en marche l'inflammation.	Il y a de l'eau dans le réservoir à combustible.	Veuillez nettoyer le réservoir et le remplir de combustible neuf et propre.
	L'élément du filtre à combustible est colmaté.	Contrôlez l'élément filtrant et le cas échéant remplacez-le par un neuf.
	La buse est encrassée	Remplacez la buse par une buse neuve. (Reportez-vous à la page 35.)
La flamme s'éteint pendant l'utilisation de l'appareil.	Le combustible utilisé n'est pas adapté ou bien il est souillé.	Veuillez nettoyer le réservoir à combustible et remplissez-le de combustible neuf et propre.
	Le contrôleur de flamme à cellule photo-électrique est sale.	Veuillez nettoyer le contrôleur de flamme à cellule photo-électrique (Reportez-vous à la page 32) .
	L'élément du filtre du combustible est colmaté.	Vérifiez l'élément du filtre et remplacez-le par un neuf.

Si les phénomènes suivants se présentent, ils ne traduisent pas nécessairement une anomalie. Procédez une fois encore aux vérifications qui s'imposent avant de consulter une société d'entretien.

Phénomène	Explication
Lorsque l'appareil de chauffage est utilisé pour la première fois, de la fumée ou une odeur se dégage de l'appareil.	Ceci est dû au fait que le combustible brûle avec des poussières, etc. Ce phénomène disparaîtra après un court moment.
Au moment de l'inflammation ou de l'arrêt de l'appareil de chauffage, un bruit provient de la section du brûleur.	Ce bruit est causé par une expansion ou un rétrécissement de la section du brûleur dû à température variant. Ceci est tout à fait normal.

Méthode de remplacement



AVERTISSEMENT

- Ne procédez à aucun entretien de l'appareil de chauffage pendant une combustion, tandis qu'il fonctionne ou qu'il est brûlant, car dans tous ces cas vous risquez de vous blesser ou de provoquer un accident.

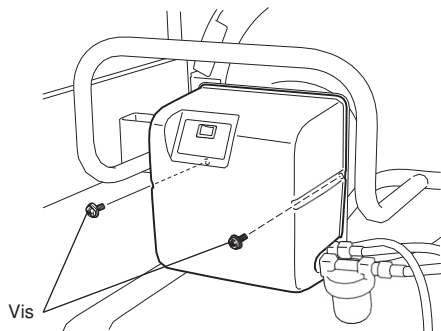


ATTENTION

- Avant d'effectuer un quelconque entretien de l'appareil et pour éviter toute secousse électrique, assurez-vous qu'il est arrêté et que son cordon d'alimentation est débranché.
- Portez des gants lorsque vous entretenez l'appareil de manière à réduire les risques de blessure.

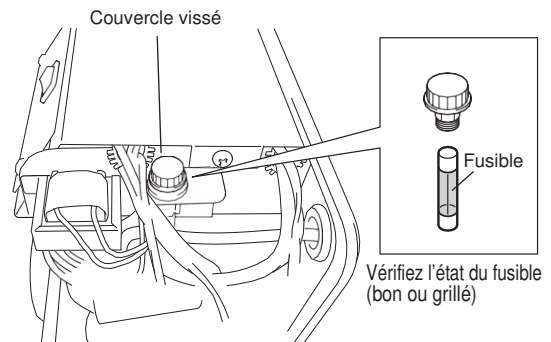
7-1. Fusible

- 1 Dévissez les deux vis du couvercle du brûleur et déposez ce couvercle.
- 2 Dévissez les vis du couvercle du porte-fusible et retirez le fusible.



Dévissez ces deux vis pour déposer le couvercle du brûleur

- 3 Remplacez le fusible par un fusible neuf.
- 4 Remplacez le couvercle vissé sur porte-fusible.
- 5 Remplacez le couvercle du brûleur et les deux vis retirées.



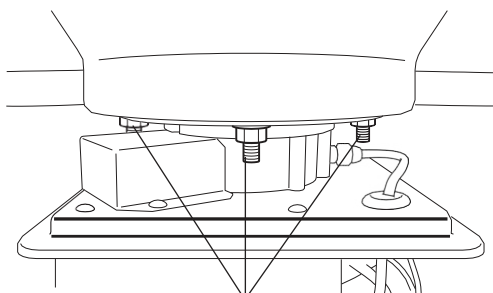
Ouvrez le couvercle vissé et retirez le fusible

7-2. Buse

Observations

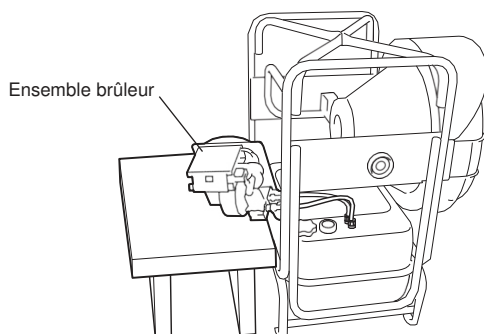
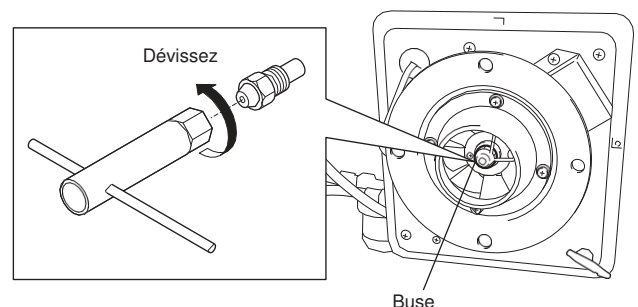
- Placez le brûleur déposé à proximité des deux flexibles de combustible.

- 1 Retirez les trois écrous des boulons de fixation du brûleur et déposez le brûleur.



Dévissez les écrous et déposez le brûleur

- 2 Déposez la buse en vous servant de la clé spéciale qui fait partie de la fourniture standard. Remplacez la buse par une buse neuve.



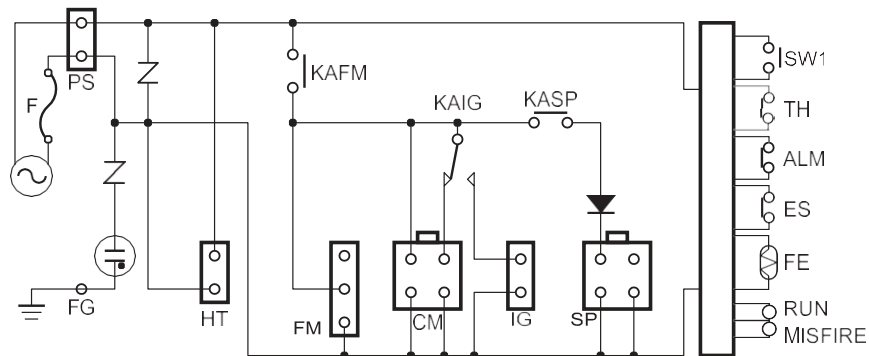
- 3 Serrez la buse au moyen de la clé spéciale de manière que la buse soit solidement fixée.
- 4 Remplacez l'ensemble du brûleur et assurez son maintien à l'aide des trois écrous retirés.

Caractéristiques techniques

Numéro de modèle	VAL6KBE5S	VAL6KBE5L	Numéro de modèle	VAL6KBE5S	VAL6KBE5L
Type	Brûleur à rayonnement direct		Alimentation	Courant alternatif 120V (60Hz)	
Système d'inflammation de combustible	Décharge à haute intensité		Puissance consommée	<ul style="list-style-type: none"> • Pendant l'inflammation: 100 W • Pendant la combustion: 80 W 	<ul style="list-style-type: none"> • Pendant l'inflammation: 150 W • Pendant la combustion: 120 W
Combustible	kérosène ou gazole pas plus lourd que No.2 (Diésel)		Type à fusible	3A	
Consommation de combustible	0.85 gallons/h, 2.67 kg/h	Haute : 0.90 gallons/h, 2.82kg/h Basse : 0.75 gallons/h, 2.32kg/h	Niveau du bruit	69dB (A)	Haute : 72dB (A) Basse : 71dB (A)
Sortie calorifique	111,000 BTU, 32.5 kW	Haute : 118,000BTU, 35kW Basse : 100,000BTU, 29kW	Système de sécurité	<ul style="list-style-type: none"> • Contrôleur à cellule photo-électrique (CEil magique) • Système de protection contre les surtensions • Contacteur de renversement 	
Capacité de réservoir	9 gallons	15 gallons	Pièces standard	<ul style="list-style-type: none"> • Élément de filtre x 2 • Gicleur x 1 • Clé de gicleur x 1 • Joint d'étanchéité d'huile x 2 	
Durée de fonctionnement continu	10 heures	Haute : 16 hours Basse : 20 hours			
Dimensions (inch) (H x l x P)	36.4 x 27.9 x 27.4	36.3 x 28.0 x 29.2			
Poids (à vide)	83.8 livres, 38 kgs.	92.6 livres, 42 kgs.			

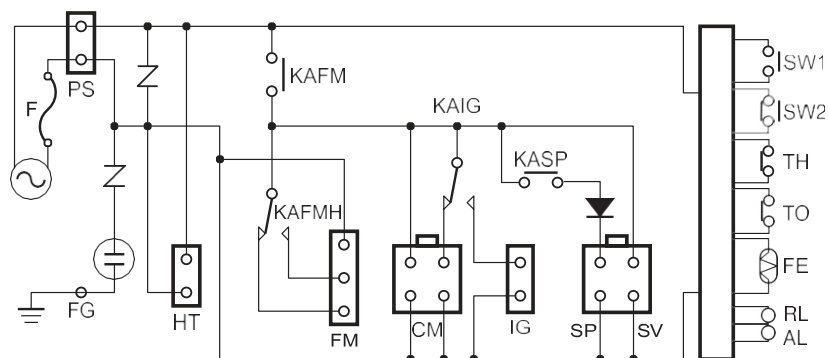
Schéma de câblage

• KBE5S



PS : Source d'alimentation	CM : Ouvert
SW1 : Commutateur de fonctionnement	IG : Allumeur
ALM : Shunt	SP : Pompe à combustible
TH : Thermostat	RUN : Lampe témoin de fonctionnement
FE : Cellule photo-électrique	MISFIRE : Lampe témoin de ratés d'allumage
FG : Masse de boîte	KA* : Relais de commande
HT : Ouvert (préchauffeur)	F : Fusible de ligne
FM : Moteur d'entrée d'air	ES : Capteur de tremblement de terre (shunt)

• KBE5L



PS : Source d'alimentation	F : Fusible de ligne
SW1 : Commutateur de fonctionnement	Z : Suppresseur de surtension
SW2 : Commutateur	FG : Masse de boîte
TH : Thermostat	HT : Chauffage à crépine
TO : Renversement	FM : Moteur d'entrée d'air
FE : Cellule photo-électrique	CM : (Ouvert)
RL : Lampe témoin de fonctionnement	IG : Allumeur
AL : Témoin de raté d'allumage	SP : Pompe à combustible
KA* : Relais de commande	SV : Robinet électromagnétique

Étiquettes de sécurité

- Les étiquettes d'instructions de sécurité fournissent des informations importantes à propos d'une utilisation sûre de l'appareil de chauffage. Par conséquent, veuillez ne pas les retirer ni les souiller.
- Si l'une des étiquettes d'instructions devient illisible ou s'est décollée, veuillez en demander une nouvelle à votre revendeur et remplacez-la par la neuve.

q Étiquette de rappel de danger

WARNING/AVERTISSEMENT

Always unplug heater before servicing and checking. Débranchez systématiquement l'appareil de chauffage avant tout entretien et vérification.

Never touch heater until heater has cooled off. Ne touchez jamais l'appareil de chauffage tant qu'il n'a pas refroidi complètement.

Use heater only in well ventilated areas. Utilisez uniquement l'appareil de chauffage dans les endroits parfaitement aérés.

Never use heater where highly flammable vapors are present. N'utilisez jamais l'appareil de chauffage en présence de vapeurs inflammables.

50300-201-023

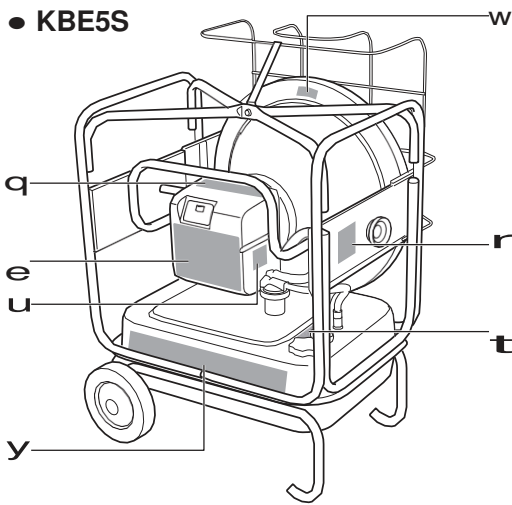
w Étiquette de précaution relative à une surface chaude

WARNING/AVERTISSEMENT

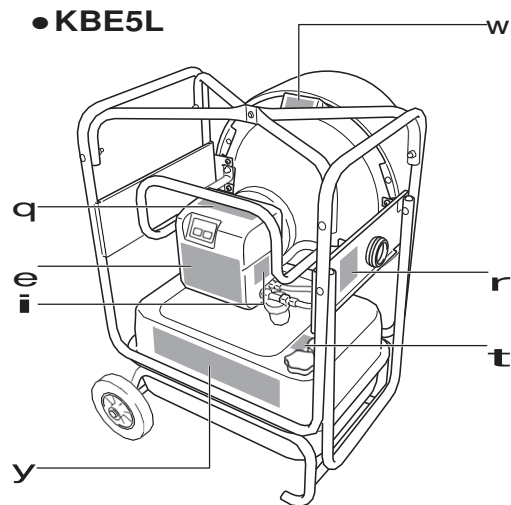
DO NOT TOUCH HOT SURFACE
NE PAS TOUCHER, SURFACE CHAUDE

50300-203-002

• KBE5S



• KBE5L



e Étiquette relative à la chaleur

Read Owner's manual before using. Veuillez lire le mode d'emploi avant de faire usage de l'appareil.

Warning/Avvertissement

- Never repeat switching on and off sequence more than 3 times. In such a case, consult with your distributor. N'essayez pas de commander l'appareil de chauffage sur marche et arrêt plus de trois fois de suite. Si la nécessité se produit, consultez votre distributeur.
- Never use heater in the presence of flammable or volatile gas such as spray can. Ne jamais utiliser l'appareil de chauffage en présence de produits inflammables ou de gaz inflammables tels que ceux provenant d'aérosols.
- Use only in places free of flammable vapor or high/low current such as chips and wastebaper. Utilisez uniquement l'appareil de chauffage dans les endroits dénués de vapeurs inflammables ou dans les endroits dénués de poussière ou en présence de copeaux de bois, de papiers, etc.
- Never touch heater until heater has cooled off. Ne jamais toucher l'appareil de chauffage tant qu'il n'a pas refroidi.

Caution/Précautions

- Keep heater away from flammable materials by 6 feet or more. Maintenez l'appareil de chauffage des matériaux inflammables à au moins 5 pieds.
- Do not use heater in places subject to rain, snow or high temperatures. N'utilisez jamais l'appareil de chauffage dans les endroits où il risque d'être exposé à la pluie, la neige ou à des températures élevées.
- For use on non combustible flooring only. Le chauffage doit être utilisé sur un revêtement de sol non combustible à moins que les tapis ignifuges.
- Never refuel while it is hot, operating or plugged-in condition. Ne ravitaillez jamais l'appareil quand il est encore chaud, quand il est en marche ou qu'il est raccordé à la prise d'alimentation.
- Never move heater while in operation. Ne déplacez jamais l'appareil pendant qu'il est en marche.

Operation/Fonctionnement

Start/Allumer (Start/Allumer) / Stop/Arrêter (Stop/Arrêter)

LAMP/LAMPE TÉMOIN	MEAN(MOYEN)/ACTION(ACTION)
RUN/EN FONCTION (GREEN/VERT)	AIR PURGE OR FIRING COOLING PURGE D'AIR OU PHASE DE REFROIDISSEMENT
MISS/FREATES/DALLUMAGE (RED/ROUGE)	MISS/FREATES/DALLUMAGE EN RAISON DE H.E. BURN (CHARL'ÉPOUSSEMENT/COMBUSTIBLE DE PRÉSERVATION)

High altitude use: (over 3000 feet) Air volume must be adjusted accordingly. (more opening of the air-mix door for the higher altitude) (Plus grande ouverture du volet d'apport d'air en présence d'une altitude supérieure). Le réglage d'air se trouve à l'intérieur du capot. The requirements of local authorities having jurisdiction shall be followed. Les conditions imposées par les autorités locales ayant juridiction doivent être suivies.

50300-201-021

r Étiquette de précaution relative à la température du sol

WARNING AVERTISSEMENT

Use the heater with a heat shielding mat on the combustible or heat sensitive floor. Heat shielding mat [Part# 50300-205001] (1,200 x 1,200 x 3.5mm) to be placed under the radiation disk to prevent from discoloring or burning the floor.

Utilisez le radiateur avec une protection thermique placée sur le sol, s'il est en matière inflammable ou sensible à la chaleur. Protection thermique [Part# 50300-205001] (1,200 x 1,200 x 3.5mm) à placer sous la zone de rayonnement pour éviter que le sol ne soit décoloré ou brûlé.

Heat shielding mat
Tapis de protection thermique

u Étiquette des caractéristiques techniques

VAL6KBE5S	
OUTPUT / Puissance de sortie	111,000BTU/h 32.5kW
FUEL CONSUMPTION / Consommation de combustible	0.85GAL/h 2.67kg/h
FUEL OIL / Combustible	#1 DIESEL (KEROSENE) / Mazout no.1 (Pétrole lampant)
POWER CONSUMPTION / Puissance consommée	100W with ignition spark / allumage 80W with combustion/en combustion
ELECTRIC REQUIREMENTS / Exigences électriques	120V 60Hz
SERIAL NO. 50300 / Numéro de série	

Shizuoka Seiki Co., Ltd.

The requirements of local authorities having jurisdiction shall be followed. Les conditions imposées par les autorités locales ayant juridiction doivent être suivies. Made in Japan

i Étiquette des caractéristiques techniques

VAL6KBE5L	
OUTPUT / Puissance de sortie	H: 118000BTU/h, 35kW L: 100000BTU/h, 29kW
FUEL CONSUMPTION / Consommation de combustible	H: 0.90GAL/h, 2.92kg/h L: 0.75GAL/h, 2.32kg/h
FUEL OIL / Combustible	Kerosene or Fuel Oil no heavier than NO.2 (Diesel)/Kerosene ou gasoil.
POWER CONSUMPTION / Puissance consommée	150W with ignition spark / allumage 130W with combustion/en combustion
ELECTRIC REQUIREMENTS / Exigences électriques	120V 60Hz
SERIAL NO. 50330 / Numéro de série	

Shizuoka Seiki Co., Ltd.

The requirements of local authorities having jurisdiction shall be followed. Les conditions imposées par les autorités locales ayant juridiction doivent être suivies. Made in Japan

t Étiquette de précaution relative au ravitaillement du combustible

DANGER/DANGER

Never use gasoline
Ne jamais se servir d'essence

>PET< 50300-202-022

y Étiquette d'avertissement

Do not operate without reading this warning **Warning**

NEVER use gasoline for fuel
Use only clean diesel fuel or kerosene
Ventilation is required if used at indoor
Do not operate heater unattended
Heater may be hot after it is turned off
Do not move the heater while burning

Ne pas utiliser l'appareil de chauffage sans lire attentivement ce message d'avertissement

NE JAMAIS utiliser l'essence comme combustible
Utiliser uniquement du gazole ou du kérosène après une ventilation de la pièce est nécessaire en cas d'utilisation à l'intérieur
Ne pas laisser l'appareil de chauffage fonctionner sans surveillance
Il se peut que l'appareil de chauffage soit encore chaud au moment où l'avertissement est allumé

Ne pas utiliser l'appareil de chauffage sur un sol combustible sans utiliser notre tapis de protection, vendu en option
NE JAMAIS utiliser l'appareil de chauffage à proximité de matériaux combustibles
Arrêter l'appareil de chauffage en cas d'apparition d'anomalies
Vérifier que le niveau de fonctionnement est étroitement débarrassé de la prise électrique
Arrêter l'appareil de chauffage avant d'effectuer le remblayage de combustible

>PET< 50300-202-026

GARANTIE

Appareils de chauffage à infrarouge, série VAL6

SHIZUOKA SEIKI garantit que ses appareils de chauffage et les pièces qui entrent dans leur fabrication sont dépourvus de défauts de matière et de main d'œuvre pendant une période de 24 mois à compter de la date d'achat, sous réserve qu'ils soient installés, utilisés et entretenus conformément aux instructions d'installation et d'entretien, aux consignes de sécurité et aux informations mentionnées sur les étiquettes apposées sur les appareils. Si une pièce se révélait défectueuse au cours de la période limitée de garantie, que ce soit en raison de la matière ou de la main d'œuvre, Shizuoka Seiki, réparera la pièce ou l'appareil concernés, ou les remplacera, cela à sa discrétion.

La preuve d'achat et le droit à la garantie doivent être établis au moment du retour d'un appareil.

* Une copie de la facture doit être fournie au moment du retour de l'appareil.

Demande de garantie

Toute demande au titre de la garantie doit être adressée au centre de traitement des garanties, c'est-à-dire au 1-844-534-8051 (pour les États-Unis). Après une conversation téléphonique destinée à évaluer la situation, la meilleure méthode sera choisie.

Cette garantie limitée ne s'applique pas aux appareils de chauffage, aux pièces ni aux rechanges qui ont été endommagés en raison d'une installation incorrecte, d'une mauvaise utilisation, d'un accident, d'une catastrophe naturelle, d'une négligence, d'une erreur de manipulation, d'un carburant contaminé, d'une modification, d'un emploi dans un environnement ne convenant pas ou d'une usure normale.

La garantie mentionnée ci-dessus est la seule fournie par Shizuoka Seiki ; toutes les autres, qu'elles soient implicites, ou de qualité marchande ou encore d'adéquation à un dessein donné, sont expressément rejetées. Dans le cas où la garantie implicite rejetée ici ne peut pas l'être effectivement du fait des termes de la loi, cette garantie implicite aurait alors la même durée que la garantie applicable définie ci-dessus. Les actions correctives mentionnées plus haut sont les seules qui puissent être envisagées dans le cadre de la garantie. Shizuoka Seiki ne pourra être tenue responsable des dommages directs ou indirects suivants l'achat, la manipulation et l'utilisation des appareils ; en tout état de cause, y compris dans les cas de négligence ou de responsabilité stricte, l'engagement de Shizuoka Seiki ne pourra dépasser le prix d'achat.

Certains États n'autorisent pas que la garantie implicite soit limitée dans le temps ; si vous habitez dans un tel État, la limitation de garantie ne vous concerne probablement pas. Certains États n'acceptent pas que les dommages directs ou indirects soient exclus du cadre de la garantie, ou que la garantie en limite la portée ; si vous habitez dans un tel État, l'exclusion ou limitation dont il est question plus haut, ne vous concernent probablement pas. Cette garantie vous octroie des droits spécifiques mais vous pouvez bénéficier d'autres droits selon l'État dans lequel vous habitez.

SHIZUOKA SEIKI CO., LTD. 4-1 Yamana-cho, Fukuroi-shi, Préfecture de Shizuoka 437-8601 JAPAN

Contact au États-Unis

1-844-534-8051

For more information, go to:

www.NAPAHeaters.com

or call: 1-844-534-8051

Manufacturer

Shizuoka Seiki Co., Ltd.

4-1 Yamana-cho, Fukuroi 437-0042 Japan

Tel +81-538-23-3990 Fax +81-538-23-3192

Printed in Japan